

SCALE **4WD** Series

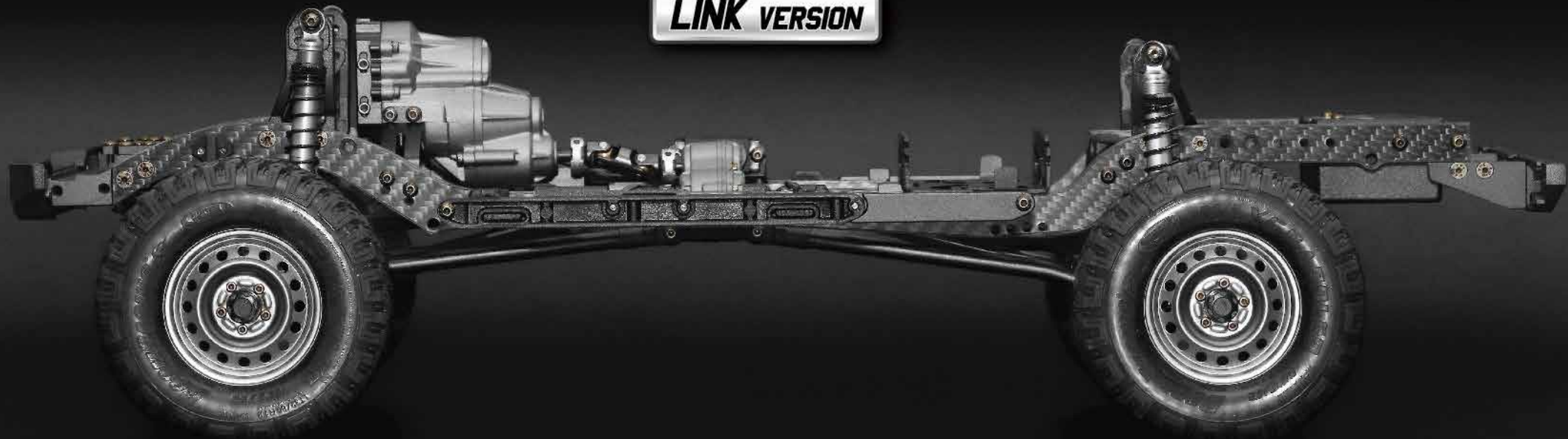
BOLT-ON KIT
PARTIAL ASSEMBLY REQUIRED

BOOMRACING 
Your Radio Control Car Specialist

BRX02

1/10 4WD RADIO CONTROL CHASSIS KIT FOR D110

LINK VERSION



WWW.BOOMRACINGRC.COM

PRODUCT CODE: BR8004 INSTRUCTION MANUAL

THE SCALE PERFORMANCE CONTINUES

Congratulations on your new ownership of this truly extraordinary chassis – the Boom Racing BRX02. As a start, we would like to introduce you to your customized license plates and vehicle VIN number system to identify your vehicle, which are both uniquely yours. All BRX02 chassis kits are numbered and all Boom Racing vehicles with Vehicle Identification Number (VIN) are unique.

As the original owner, you are eligible to receive a special promotion at each of the events being attended by Boom Racing. Once your vehicle is registered online (<https://www.boomracingrc.com/BRX02/register>), the chassis is officially registered to you and no one else can claim it. This will help with any future updates and can be used to notify you of new options in the future. We believe that this will encourage enthusiasm and interaction between owners and we hope that it will boost attendance at events to push the hobby industry further down the road.

Included with your BRX02 chassis kit is a set of original license plates, commonly used in the UK during the D110 production period. The plates consist of two groups of alphanumeric characters. From left to right, the characters consist of:

- The first two characters signify the BRX02 chassis
- The next letter identifies the chassis type - **S** for Shocks / **L** for Leaf
- The fourth character identifies the wheelbase or vehicle type – **1** for 110 / **9** for 90
- A three or four-letter sequence starting from 001, which uniquely distinguishes each of the vehicles displaying the same initial four-character chassis type and wheelbase sequence.



Scan to register your BRX02



A Bolt-On Kit means parts of the chassis are pre-assembled and require minor assembly for completion. The factory assembled parts offer convenience for builders eager to get started. The BRX02 kit includes factory pre-built axles, transmission, transfer case and shocks. Shocks require oil to be filled (included).



⚠ NOT RECOMMENDED FOR CHILDREN UNDER 14 ⚠

THIS CHASSIS KIT IS NOT A TOY. FIRST-TIME BUILDER SHOULD SEEK ADVICE FROM PEOPLE HAVING BUILDING EXPERIENCE IN ORDER TO ASSEMBLE THE MODEL CORRECTLY. ASSEMBLE THIS KIT ONLY IN PLACES OUT OF CHILDREN'S REACH.



The Scale 4WD Series is Boom Racing's line of scale based 4WD R/C products geared towards realistic appearance.

BEFORE YOU PROCEED

Congratulations! Owning the BRX02 is a truly special experience.

Carefully read and follow all instructions to prevent serious damage to your model. Failure to follow these instructions will be considered abuse and/or neglect.

Study the instructions thoroughly before assembly.

There are many small screws, nuts and similar parts. Assemble them carefully referring to the drawings. Follow the steps exactly as shown to build the vehicle correctly without issues.

If you decide to return the BRX02, do not begin assembly. Your hobby dealer will not accept a model for return or exchange after you have started assembly.

Boom Racing offers Spare Parts & Upgrade Options for improved performance. Visit our website (<https://www.boomracingrc.com>) or your local Boom Racing dealer for assistance. Please note that specifications, availability and price are subject to change without notice.

SAFETY PRECAUTIONS

All of us here at Boom Racing want you to enjoy your new vehicle. Operate your BRX02 sensibly and with care, and it will be exciting, safe and fun for you and those around you. Failure to operate your BRX02 in a safe and responsible manner may cause damage and injury and void your warranty.

Follow these outlined rules for safe radio control operation

- Read carefully and fully understand the instructions before assembly.
- ***This model is not intended for use by children (minors) under 14 years of age without the supervision of a responsible and knowledgeable adult who should also read the instructions.***
- When assembling this kit, extra care should be taken to avoid personal injury. Keep out of reach of small children.
- Avoid running the vehicle in crowded areas and near small children.
- BRX02 can be very fast and quiet. It could cause injury to those unaware of its presence.

Inspect Your BRX02 Before and After Operation

- Make sure that all screws and nuts are properly tightened.
- Use thread lock on screws for any metal on metal surface.
- Adjust steering servo and trim so that the BRX02 runs straight with transmitter in neutral.
- Disconnect/remove all batteries after operation.
- Replace any batteries that have been dented, are bloated, or have frayed wires, short circuits can cause fire.
- Completely remove sand, mud, dirt etc after use to prolong the life of the BRX02.
- Maintain bearings by cleaning or replacing them regularly.

WARRANTY**Boom Racing's One (1) Year Factory Limited Warranty – A Peace Of Mind Right From The Start****WHO IS COVERED**

This warranty is extended to the original end-user that registers it online (<https://www.boomracingrc.com/BRX02/register>) only, whether purchased or received as a gift.

FACTORY LIMITED WARRANTY**What Is Covered and For How Long**

Boom Racing warrants that all new products are free from defects in manufacturing, materials and workmanship for a period of one (1) year from date of retail purchase. The receipt or invoice at the time of purchase is your proof of purchase and is required for Boom Racing to honor any warranty.

What Is Not Covered

It does not cover defects or malfunction caused by user error of assembly, damages due to normal wear and tear, failure to follow operating instructions, misuse or abuse, users' failure to perform routine maintenance, or use with products with which is not intended to be used. It also does not cover damages caused by unauthorized alteration, modification or repair. It does not cover cosmetic or incidental damages. Boom Racing does not warrant or provide service or support for any third party products.

The JX mini servo warranty will be void if it is disassembled.

What We Will Do

We will, at our discretion, repair or replace any product free of charge that is incorrectly made or proves to be defective in material or workmanship during the warranty period. If your product is no longer being manufactured or is out of stock, we may replace your product with a comparable or improved product at our option.

What We Will Not Do

We will not pay for shipping, insurance or transportation charges from you to us, or any import fees, duties and taxes.

What To Do To Obtain Warranty Service

To obtain warranty service for products purchased from a third-party, retail or directly from Boom Racing you must return the product with proof of purchase using the following procedures:

1. Contact Boom Racing Customer Support for specific warranty instructions via our website, by email, telephone, or our social media accounts:

- Online @: <https://www.boomracingrc.com/contact-us>
- Email: sales@boomracingrc.com
- Telephone: 1-209-676-8880
- Facebook Messenger: (www.fb.com/boomracingrc) or Instagram: DM @boom_racing

You may be asked to complete a warranty service request form. A copy of your purchase receipt may be required.

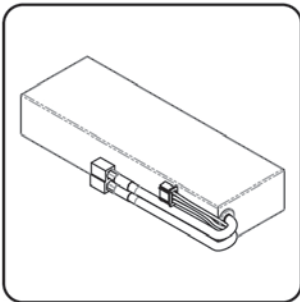
2. Our Customer Support may ask you to return and ship the defective product back to us. Label and ship the product, freight prepaid, to the address provided by Boom Racing; and
3. Place any necessary return authorization number prominently on the outside of the return packaging. Return packaging not bearing a return authorization number where required may be refused.

Boom Racing reserves the right to final decision, change or modify this warranty without notice.

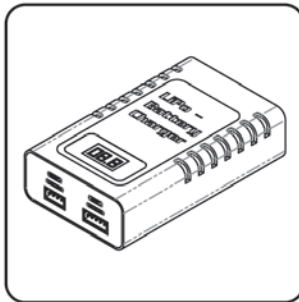
Equipment Required



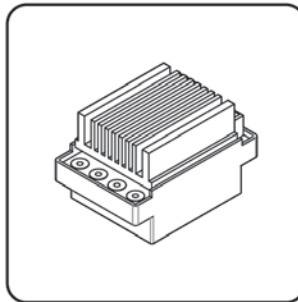
3CH Radio



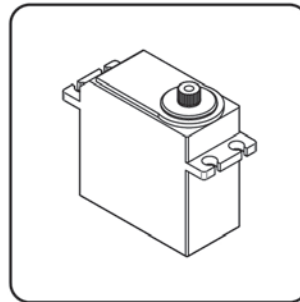
Battery



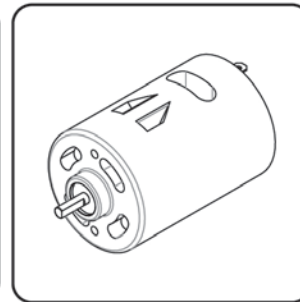
Charger



ESC

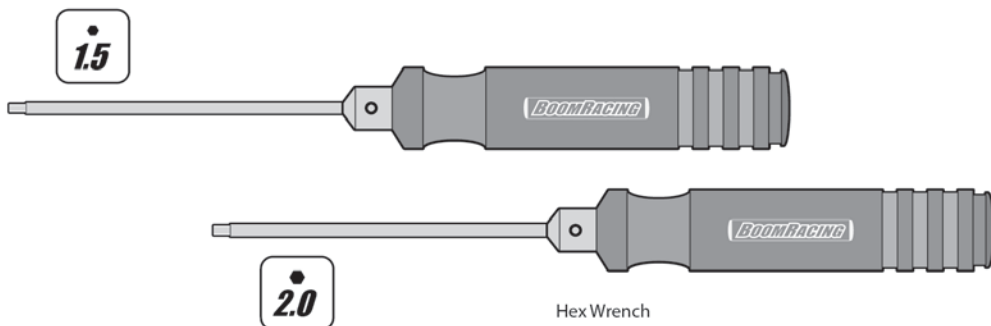


Steering Servo

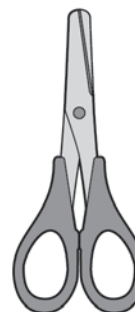


540/550 Motor

Tools Recommended



Hex Wrench



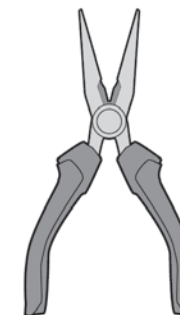
Scissors



Hobby Knife



Slot Screwdriver



Long Nose Pliers



Thread Lock

Apply thread lock to places shown by this mark.
Apply thread lock first, then assemble.
(Do Not Use Red Loctite)



Black Graphite Grease

Lubricate all gears.
Apply grease to the places shown by this mark.
Apply grease first, then assemble.



Silicone Grease

Lubricate all moving parts including joints and bearings.
Apply grease to the places shown by this mark.
Apply grease first, then assemble.



Shock Oil

Apply shock oil to the places shown by this mark.



Apply Double Side Tape

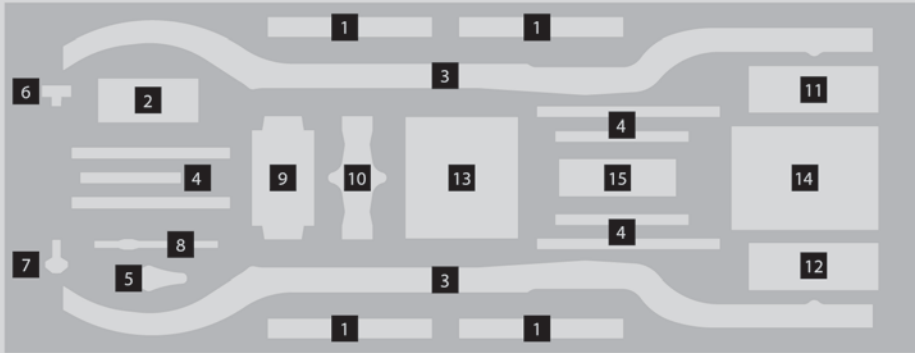


Item not included.

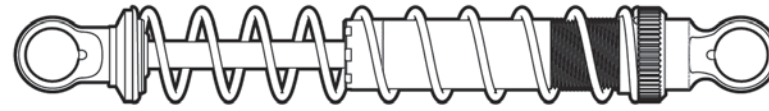


Pay attention to note on page.

PART LOCATION MAP (TOP)



1



KUDU™ 90mm Medium (Green) Coilover Scale Shock Absorber x 4
#BRSH0090-SP



Shock End Pivot Ball x 8
#BRW750310

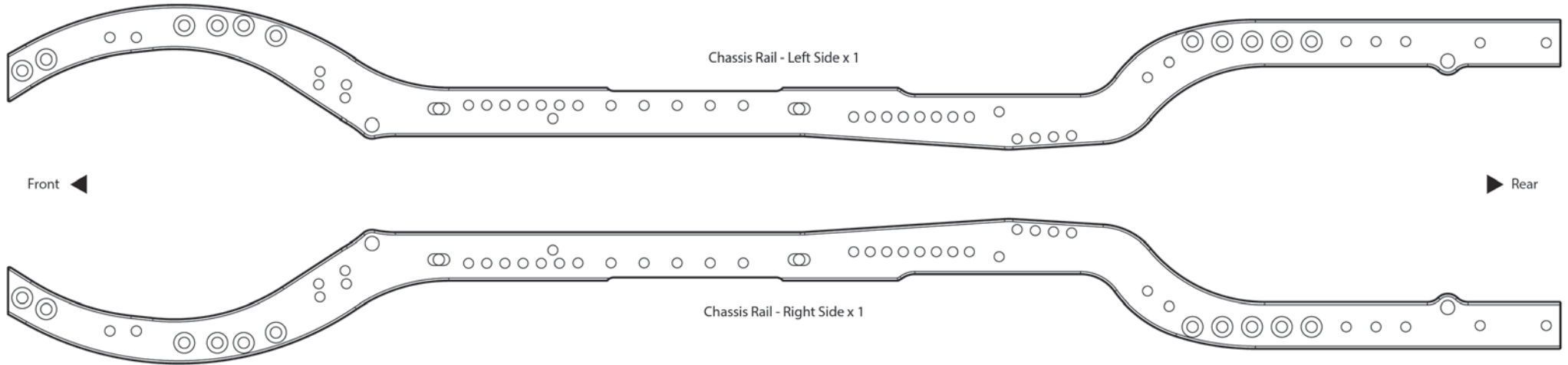


Joint Retainer x 8
#BRSHJR

2

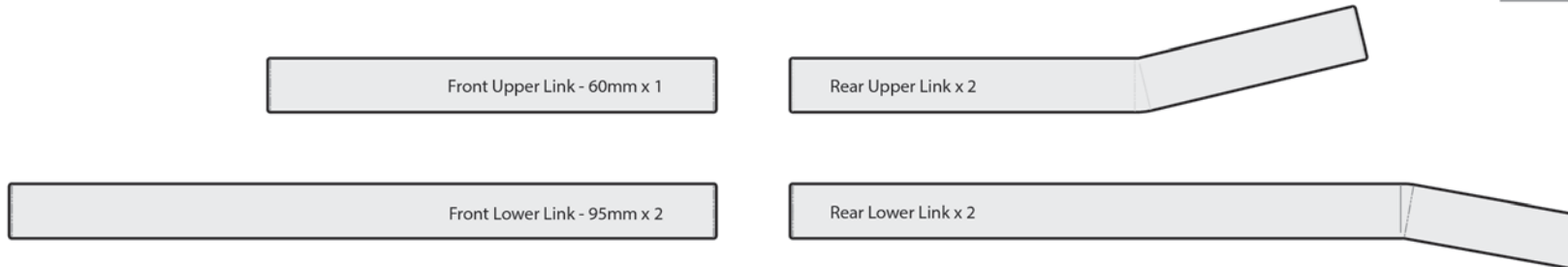
3

#BRX020011

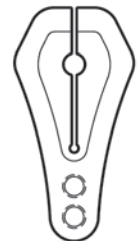


4

#BRX020037

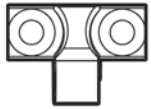


5



Servo Horn B - 25T x 1
#BR955014BK

6



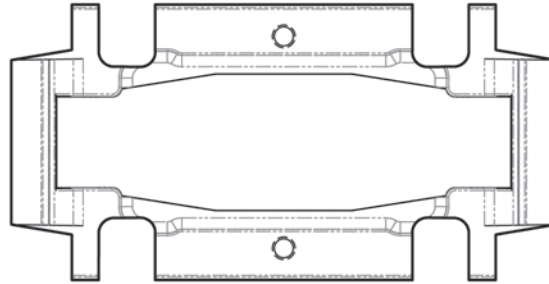
Axle Panhard Mount x 1
#BRX020024

8



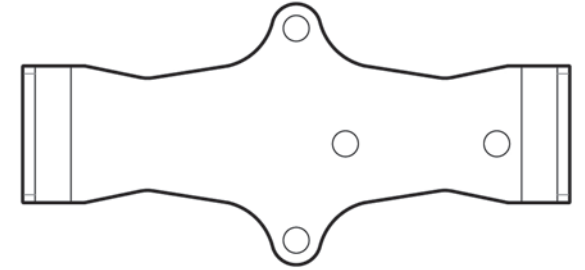
Panhard Bar x 1
#BRX020026

9



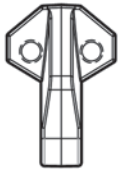
Center Link Mount x 1
#BRX020020LK

10



Center Stainless Steel Skid Plate x 1
#BRX020020A
(Pre-Assembled on Center Link Mount)

7



Chassis Panhard Mount x 1
#BRX020025

11



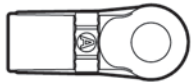
65mm Hard (Yellow) Coil x 4
#BRSH90Spring-H

12

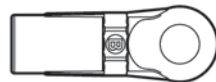


65mm super Hard (Red) Coil x 4
#BRSH90Spring-SH

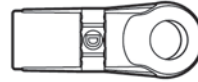
13



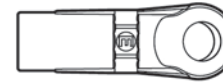
KUDU™ Nylon Rod End
(Straight 18.5mm) x 12
#BRW750306A



KUDU™ Nylon Rod End
(Straight 21.8mm) x 3
#BRW750309B



KUDU™ Nylon Rod End
(Upwards 20mm) x 4
#BRW750307D



KUDU™ Nylon Rod End
(Upwards 23.7mm) x 1
#BRW750310E



BADASS™
Stainless Steel Pivot Ball x 20
#BRW750300



D2 Ball & Rod End x 1
#BRQ90351

14 A CHASSIS



M3x12 RS x 10
#BRASBH3012



M3x10 RS x 9
#BRASBH3010



M3x8 RS x 8
#BRASBH3008



M2.5x4 RS x 8
#BRASBH2504



M2x4 SC x 4
#BRASCH2004



M3x10 CSS x 24
#BRASFH3010



M3x8 CSS x 2
#BRASFH3008



M3x6 SS x 2
#BRASST3006



M3x3 SS x 4
#BRASST3003



M3x5
Hex Cap Screw x 2
#BRASHS3005



Bumper Light Retainer x 2
#BRX020032



M3 Nut - Nyloc x 2
#BRASNUTM3

14 B LINKS / SHOCKS



M3x30 RS x 2
#BRASBH3030



M3x20 RS x 2
#BRASBH3020



M3x18 RS x 3
#BRASBH3018



D3x6x5 Tapper Spacer x 4
#BRLC7040



M3x16 RS x 4
#BRASBH3016



M3x14 RS x 6
#BRASBH3014



M3x12 RS x 5
#BRASBH3012



M3x10 RS x 1
#BRASBH3010



D3x6x3 Tapper Spacer x 4
#BRLC7041



M3x18 CSS x 2
#BRASFH3018



M4x16 SS x 16
#BRASST4016



M3 Nut - Nyloc x 5
#BRASNUTM3



D6x1.5 O-Ring x 2
#BRSORD6-15



D4x7x2 Nylon Spacer x 11
#BRASSPD427/N

15 C WHEELS



5mm Wheel Hex x 4
#BR113008BK



M3x3 SS x 4
#BRASST3003



M4 Nuts - Nyloc x 4
#BRASNUTM4

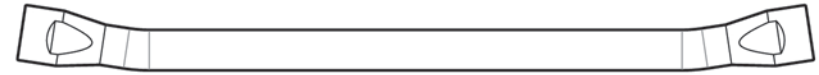


D2x10 Pin x 4
#BRASPIN210

PART LOCATION MAP (MIDDLE)



16



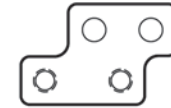
Stainless Steel Tie Rod x 1
#BRD9022A

17



Fine Tunable Link - 55mm x 1
#BRLC7050

18



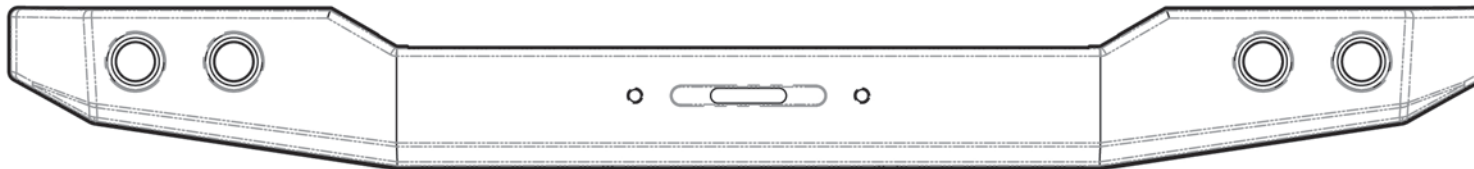
Steering Servo Mount x 2
#BRX020007

19

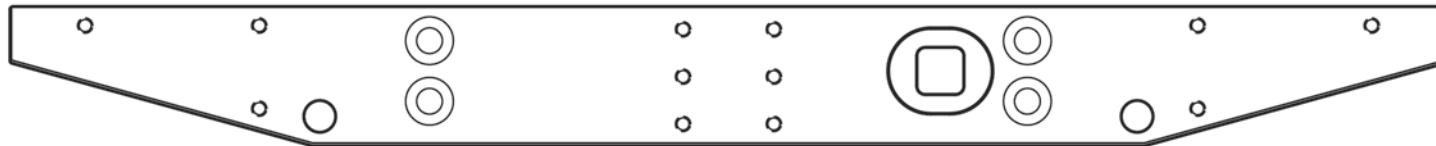


Body Latch Pin x 4
#BRX020034

20



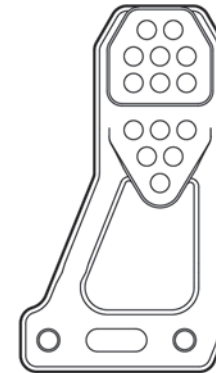
Front Bumper x 1
#BRX020015F



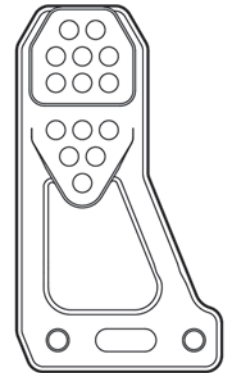
Rear Bumper x 1
#BRX020015R

21

#BRX020018F

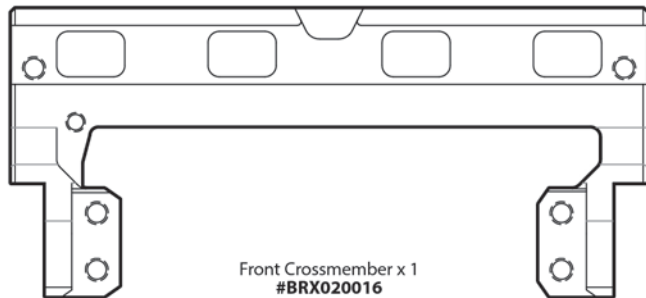


Front Shock Mount - Left x 1



Front Shock Mount - Right x 1

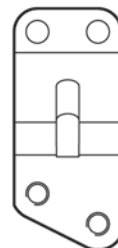
22



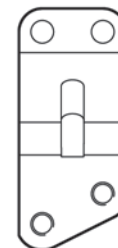
Front Crossmember x 1
#BRX020016

23

#BRLC7019

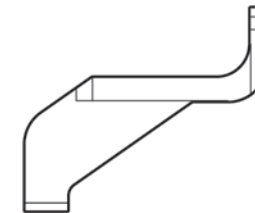


Side Gearbox Mount
- Left x 1



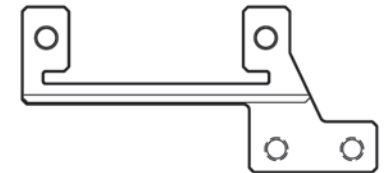
Side Gearbox Mount
- Right x 1

24



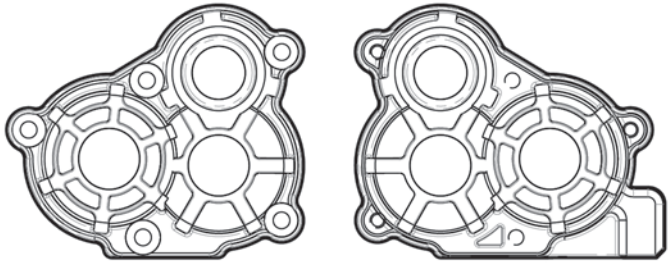
Rear Gearbox Mount x 1
#BRX020017

25



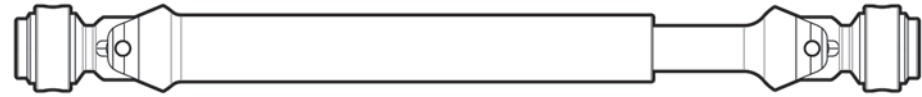
Mini Servo Mount x 1
#BRX020009

26



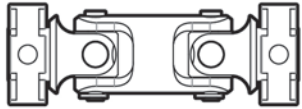
SRD™ Transfer Case Housing x 1
#BRX020047

28



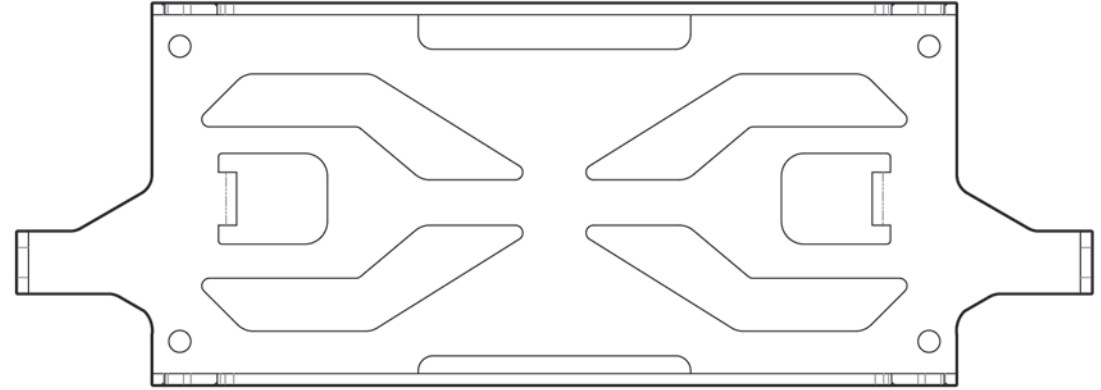
KUDU™ HD CVD Center Drive Shaft x 2
#BRX020043

27



Steel Connection Drive Shaft (33mm) x 1
#BRX020028

29



Battery Tray x 1
#BRX020021

30



Shift Rod x 1
#BRX020051

31



Quick Release Body Mount - Right x 1

#BRX020062



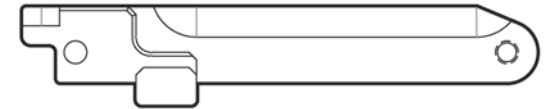
Quick Release Body Mount - Left x 1

34



Quick Release Body Mount Extension - Right x 1

#BRX020063



Quick Release Body Mount Extension - Left x 1

32



Body Post x 4
#BRX020039

33



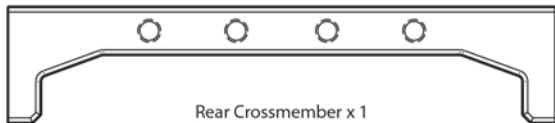
Quick Release Body Latch x 2
#BRX020061

35



Mid Crossmember x 1
#BRX020014

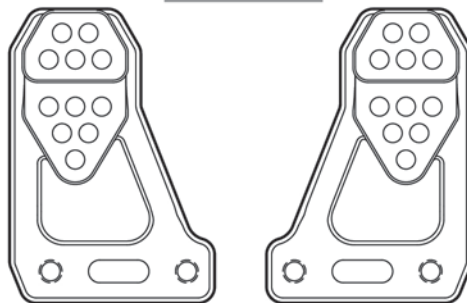
36



Rear Crossmember x 1
#BRX020012

38

#BRX020018R

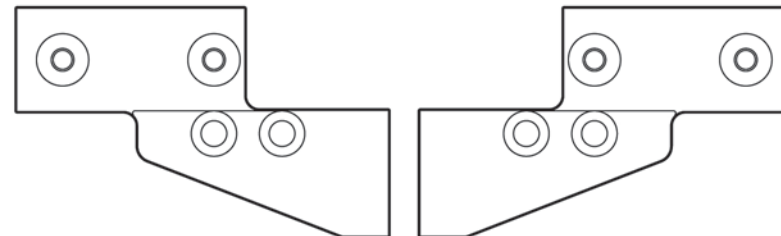


Rear Shock Mount - Left x 1

Rear Shock Mount - Right x 1

39

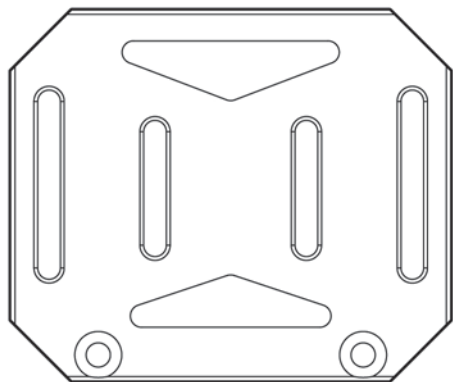
#BRX020019



Rear Bumper Mount - Left x 1

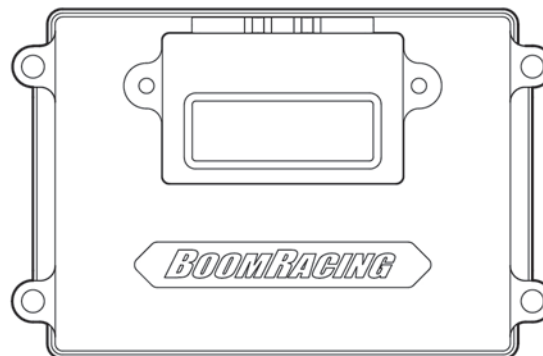
Rear Bumper Mount - Right x 1

37



ESC Mounting Plate x 1
#BRX020079

40



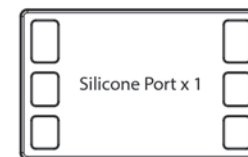
Receiver Box Lid x 1

#BRLC7033

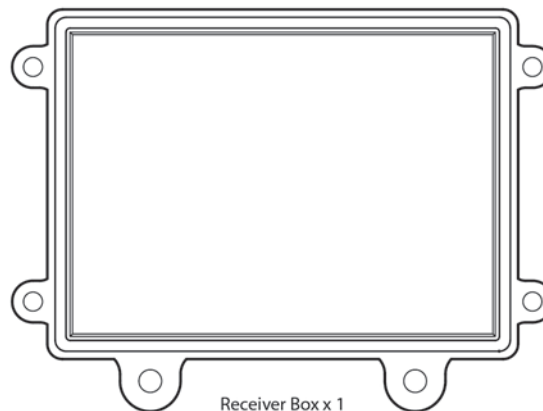


Stainless Steel Sealing Plate x 1

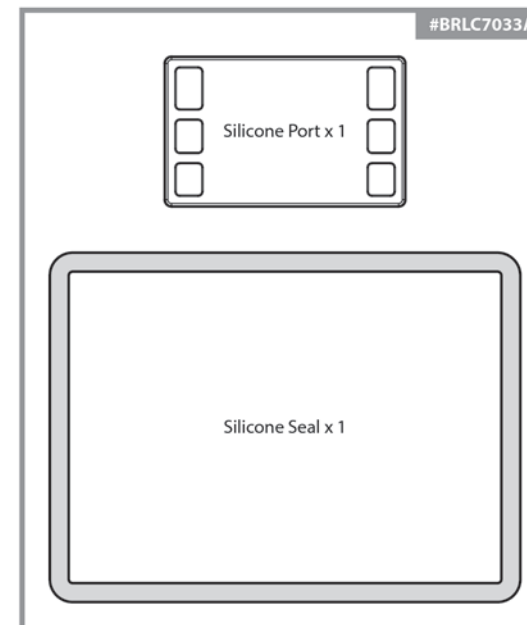
#BRLC7033A



Silicone Port x 1

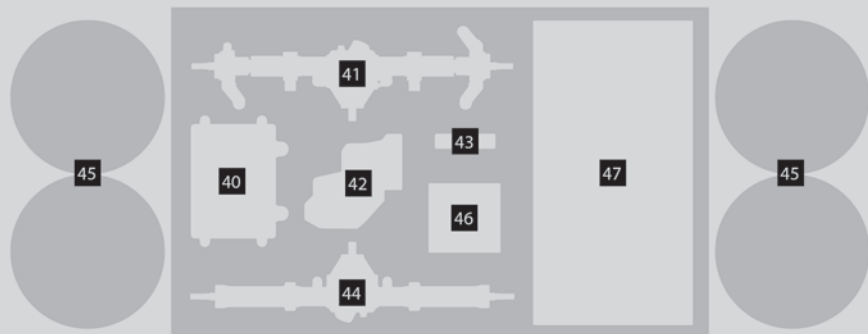


Receiver Box x 1



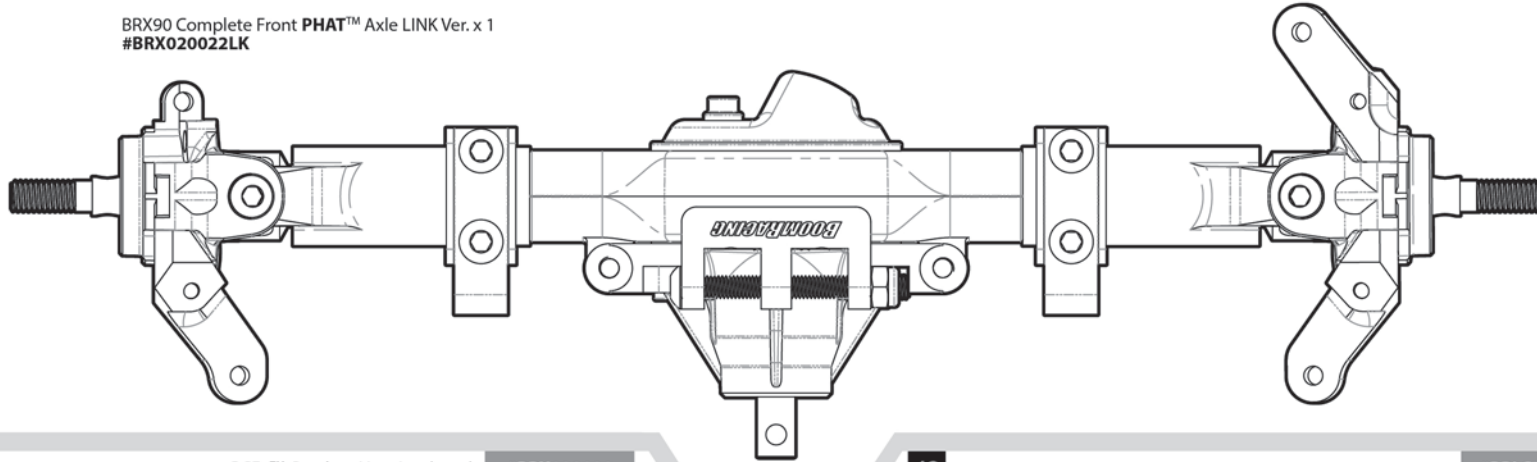
Silicone Seal x 1

PART LOCATION MAP (BOTTOM)



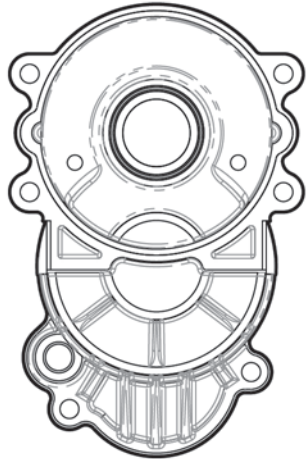
41

BRX90 Complete Front PHAT™ Axle LINK Ver. x 1
#BRX02002LK

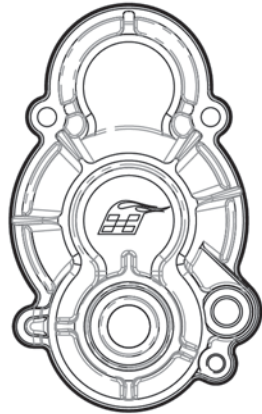


42

BCF2™ Gearbox Housing (2pcs) #BRX020029



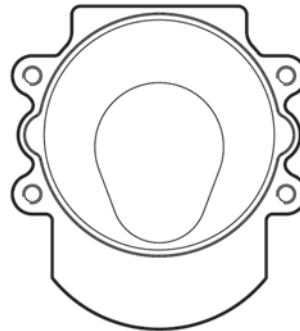
Gearbox Housing A



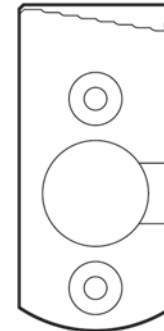
Gearbox Housing B

43

#BRLC7027



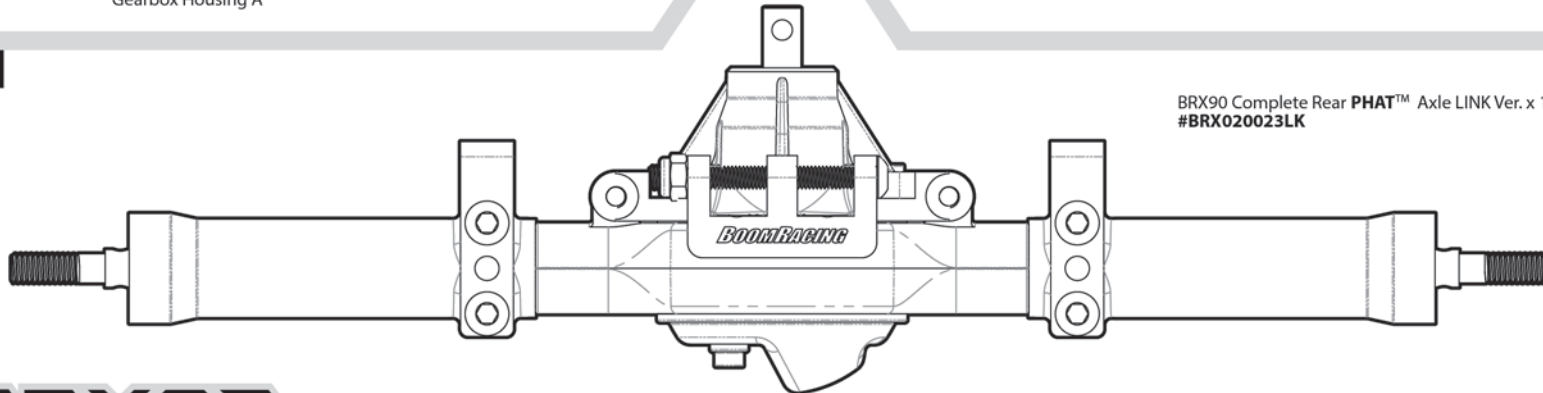
Gearbox Adapter x 1



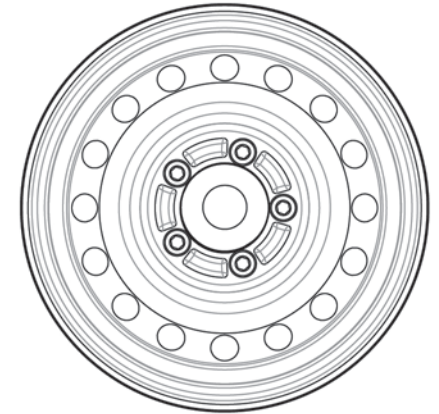
Motor Mount x 1

44

BRX90 Complete Rear PHAT™ Axle LINK Ver. x 1
#BRX020023LK



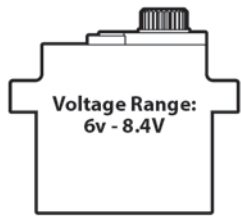
45



1.9" 16-Hole Classic Steelie Reversible Beadlock Wheel
(Gun Metal) x 4
#BRW780919GM
with XT504 (#BRXT504V2) Wheel Hub

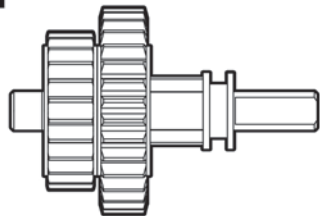


5100 Scale Center Wheel Hub Cap x 4
#BRW780923



Voltage Range:
6v - 8.4V

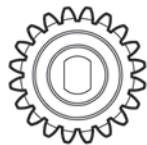
JX Waterproof HV Mini Servo x 1
#JX/PDI-HV1151MG



2-Speed Gear Unit x 1
#BRLC7044E



Spur Gear Mount x 1
#BRLC7030



Spur Gear 20T x 2
#BRLC7029-20T



Bearing Holder x 1
#BRX020029A

47 **D** GEARBOX / TRANSFER CASE

M3x8 SC x 2 #BRASCH3008	M2.5x10 SC x 4 #BRASCH2510	M2.5x8 SC x 9 #BRASCH2508	M2x8 SC x 5 #BRASCH2008	
M3x10 CSS x 1 #BRASFH3010	M3x6 CSS x 1 #BRASFH3006	M2.5x8 CSS x 1 #BRASFH2508	M2x5 CSS x 4 #BRASFH2005	
M3x8 RS x 4 #BRASBH3008	M3/2.2x11 SS x 4 #BRASST3022/DS	M3/2.4x12 SS x 2 #BRASST3024/DS	D2x10 Pin x 2 #BRASPIN210	
D5x8x0.1 Spacer x 5 #BRASSPD5801	D5x8x0.5 Spacer x 9 #BRASSPD5805	D5x7x3 Spacer x 1 #BRASSPD5703	E-Clip x 2 #BRASEC30	
			12T 32P Pinion Gear #BRPG3212-3	

47 **E** RECEIVER BOX

M3x10 RS x 2 #BRASBH3010	M3x8 RS x 4 #BRASBH3008	M2.5x6 RS x 2 #BRASBH2506
-----------------------------	----------------------------	------------------------------

47 **F** BODY MOUNTS

M3x14 RS x 4 #BRASBH3014	M3x10 RS x 2 #BRASBH3010	M3x8 RS x 4 #BRASBH3008
M2.5x6 SC x 2 #BRASCH2506	Ø5mm Spring x 4 #BRASSPRING05510	Slider Spacer x 4 #BRX020035

47 **G** SERVOS

Follower Horn A	Spring Horn A
Initiator Horn A #BRLC7049	
M3x6 RS x 8 #BRASBH3006	M2x8 SC x 3 #BRASCH2008

47 **H** GEARS, SHAFTS & BEARINGS - TRANSFER CASE

Input Shaft w/ 20T Spur Gear x 1 #BRLC7046-A	29T Spur Gear x 2 #BRLC7046-B	D5x14x5 Ball Bearing x 4 #BBZ6052RS
Two Ends Output Shaft x 1 #BRLC7046-C	One End Output Shaft x 1 #BRLC7046-D	D5x10x4 Ball Bearing x 2 #BBZMR1052RS

47 **I** GEARS, SHAFTS & BEARINGS - GEAR BOX

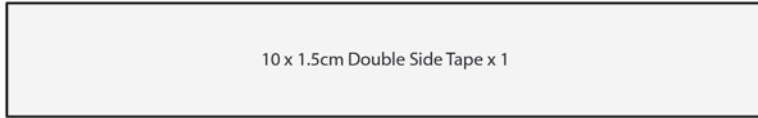
Spur Gear 12T x 1 #BRLC7029-12T	D7x11x3 Ball Bearing x 1 #BBZMR1172RS	Shift Shaft x 1 #BRLC7045C	Input Shaft x 1 #BRLC7044B	Internal Spur Gear 28T x 1 #BRLC7031
Spur Gear 15T x 1 #BRLC7029-15T	D5x11x4 Ball Bearing x 7 #BBZMR1152RS	Output Shaft x 1 #BRLC7044C	Shifter x 1 #BRLC7045B	

47



Extension Cable x 2
#BRLC7095

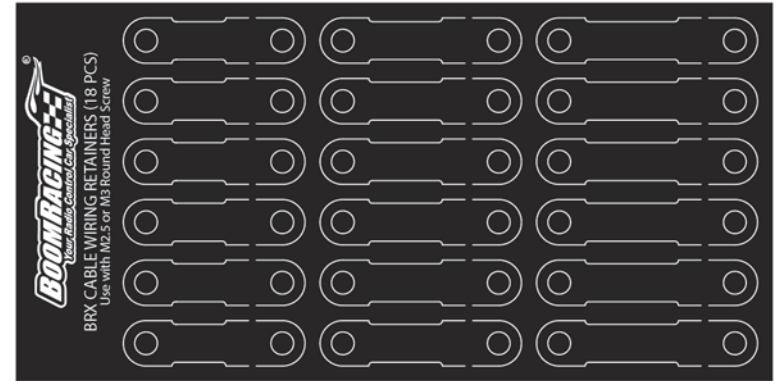
47



10 x 1.5cm Double Side Tape x 1

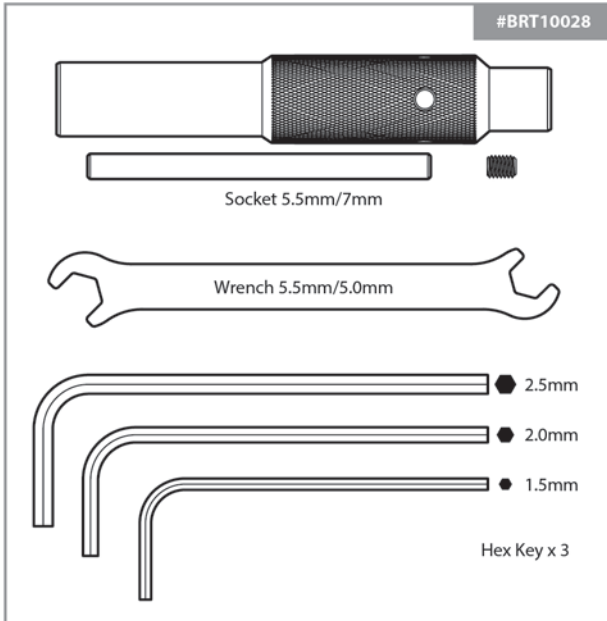


47



Cable Wiring Retainers
#BRT10037

47



#BRT10028

Socket 5.5mm/7mm

Wrench 5.5mm/5.0mm

2.5mm

2.0mm

1.5mm

Hex Key x 3

47



Black Graphite Grease 10g x 1
#BRGR51055-10



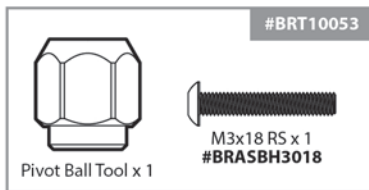
Silicone Grease 10g x 1
#BRGR510274-10



30WT Shock Oil 15ml x 1
(Available separately in 60ml)
#BR5HK030



242 Thread Lock 2g x 1
(Available separately in 10g)
#BRGR5242



#BRT10053

Pivot Ball Tool x 1

M3x18 RS x 1
#BRASBH3018

1 - CHASSIS RAIL

Parts Needed:



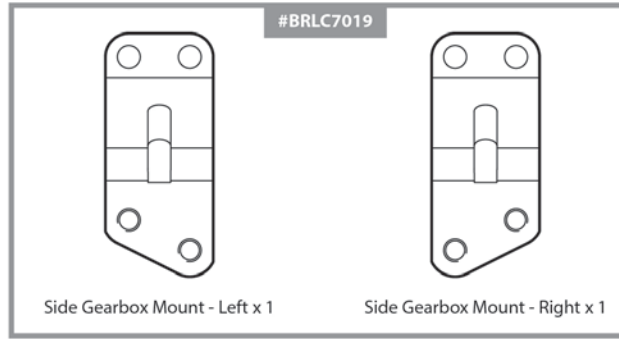
Body Latch Pin x 4
#BRX020034



Body Post x 4
#BRX020039



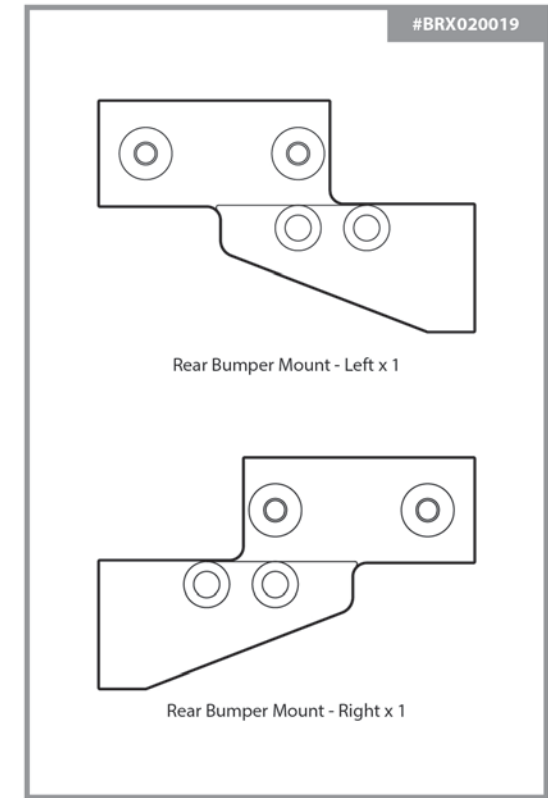
Chassis Panhard Mount x 1
#BRX020025



#BRLC7019

Side Gearbox Mount - Left x 1

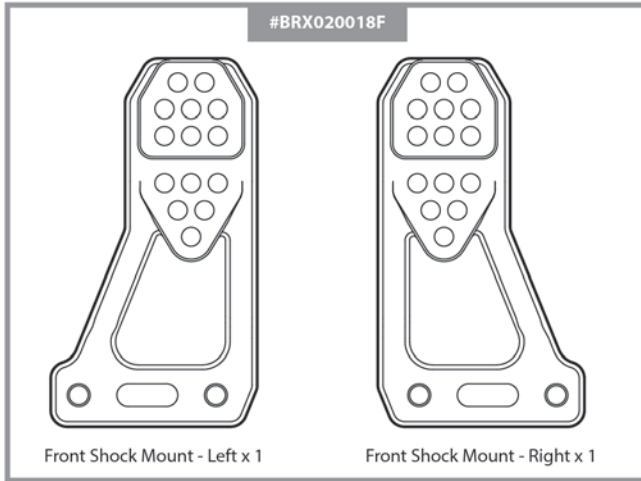
Side Gearbox Mount - Right x 1



#BRX020019

Rear Bumper Mount - Left x 1

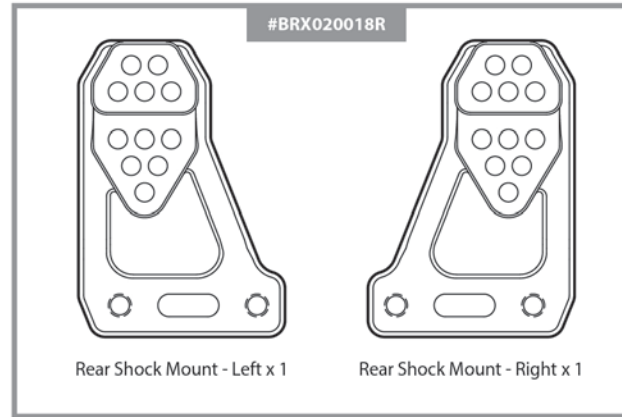
Rear Bumper Mount - Right x 1



#BRX020018F

Front Shock Mount - Left x 1

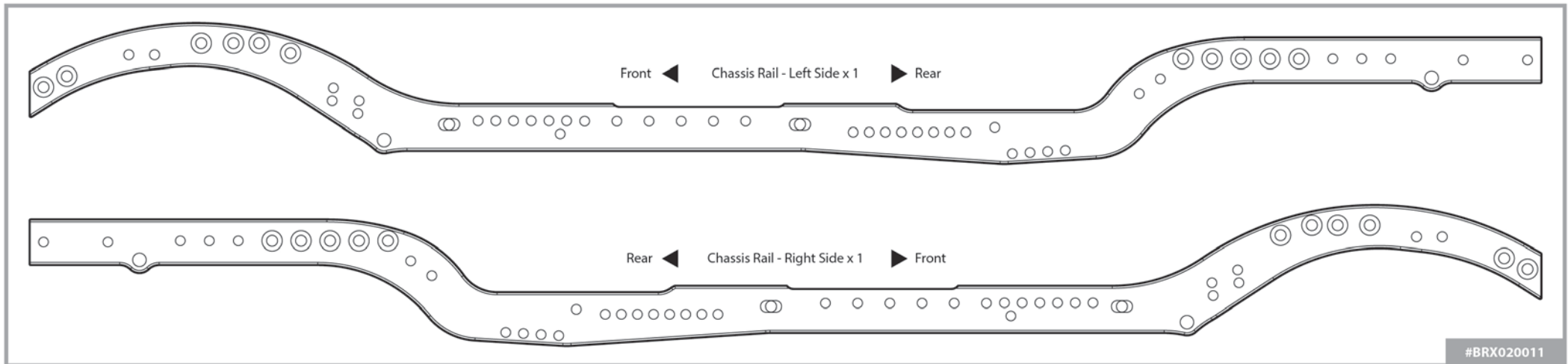
Front Shock Mount - Right x 1



#BRX020018R

Rear Shock Mount - Left x 1

Rear Shock Mount - Right x 1



Front ◀ Chassis Rail - Left Side x 1 ▶ Rear





Rear ◀ Chassis Rail - Right Side x 1 ▶ Front

#BRX020011

CHASSIS RAIL

CHASSIS RAIL

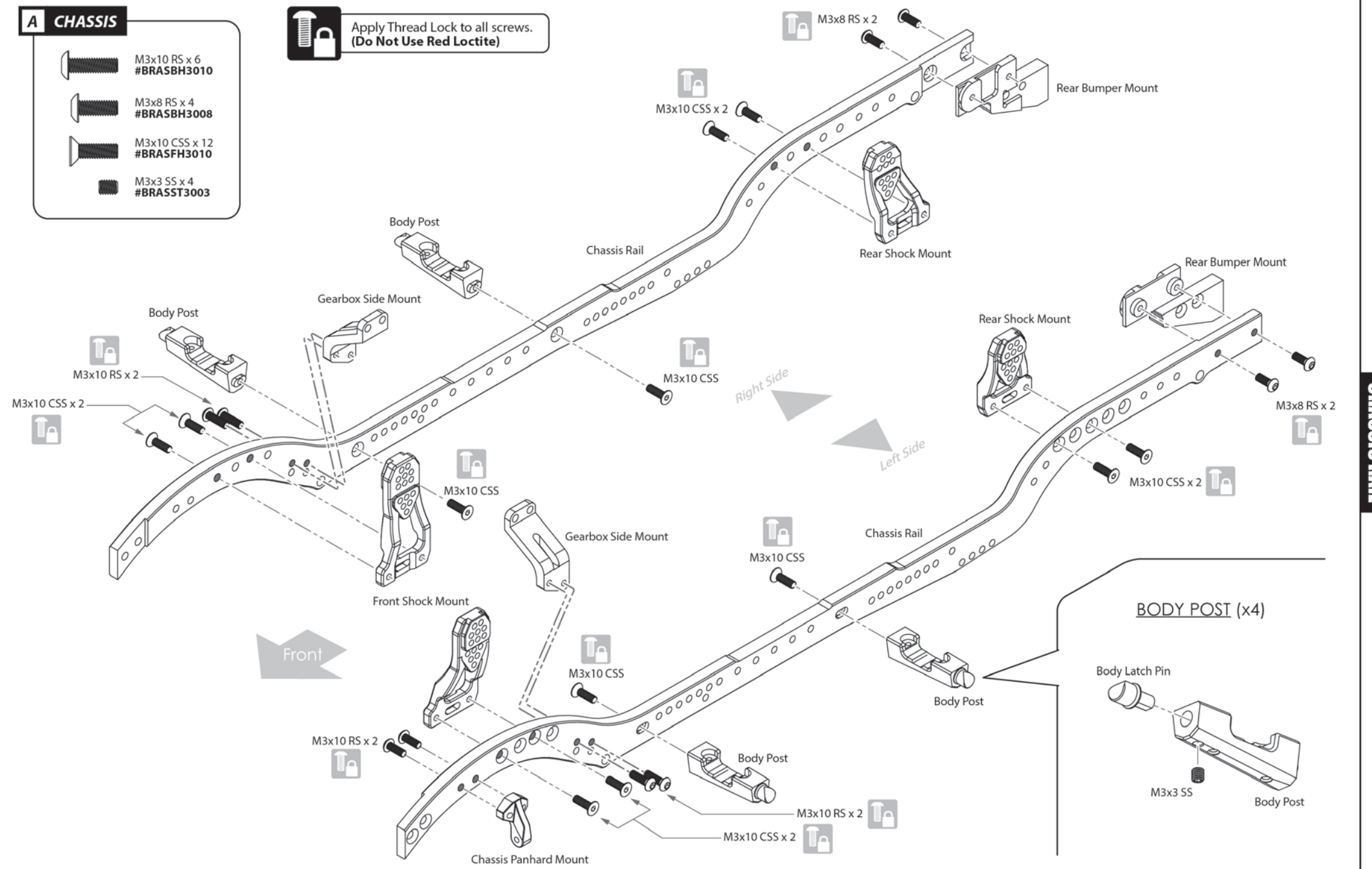
A CHASSIS

-  M3x10 RS x 6
#BRASBH3010
-  M3x8 RS x 4
#BRASBH3008
-  M3x10 CSS x 12
#BRASFH3010
-  M3x3 SS x 4
#BRASST3003

 Apply Thread Lock to all screws.
(Do Not Use Red Loctite)

CHASSIS RAIL

CHASSIS RAIL

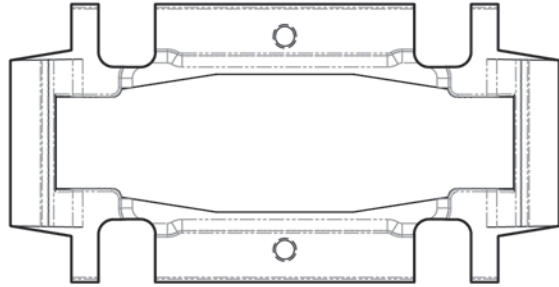


BRX02

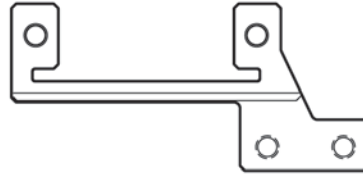


2 - CHASSIS

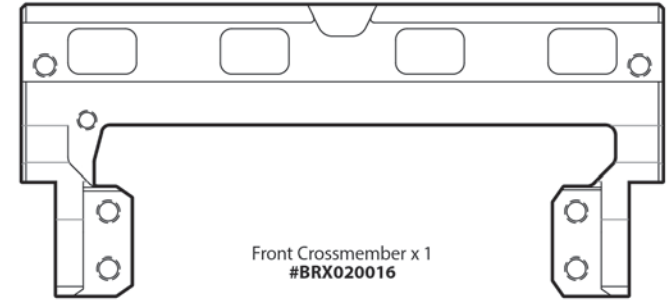
Parts Needed:



Center Link Mount x 1
#BRX020020LK



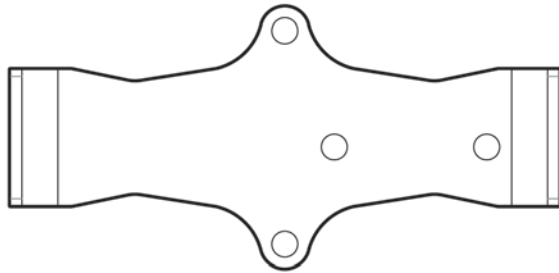
Mini Servo Mount x 1
#BRX020009



Front Crossmember x 1
#BRX020016



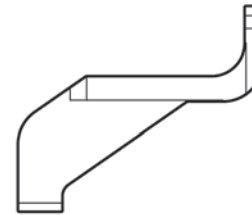
Mid Crossmember x 1
#BRX020014



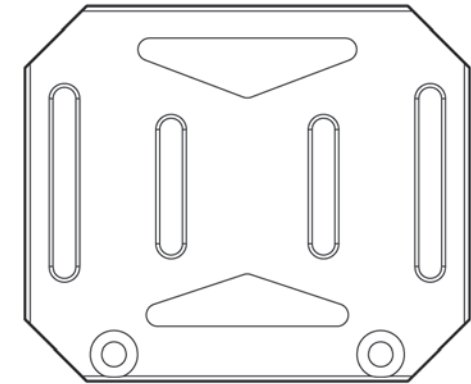
Center Stainless Steel Skid Plate x 1
#BRX020020A
(Pre-Assembled on Center Link Mount)



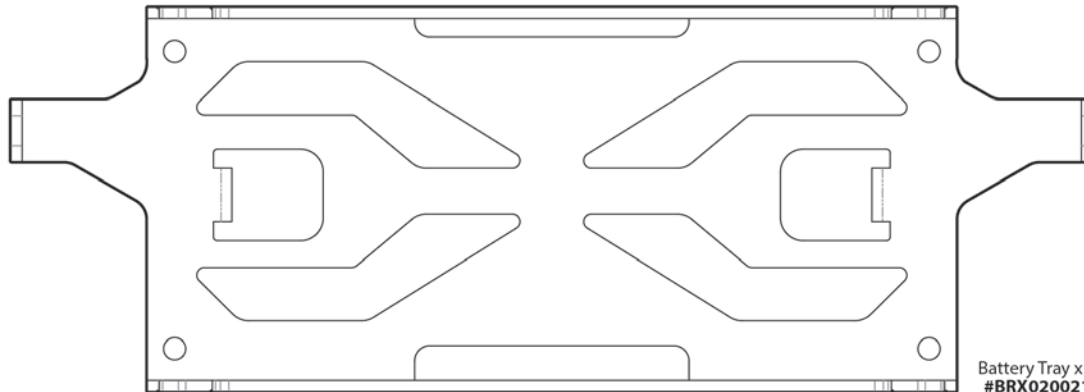
Steering Servo Mount x 2
#BRX020007



Rear Gearbox Mount x 1
#BRX020017



ESC Mounting Plate x 1
#BRX020079



Battery Tray x 1
#BRX020021



Rear Crossmember x 1
#BRX020012

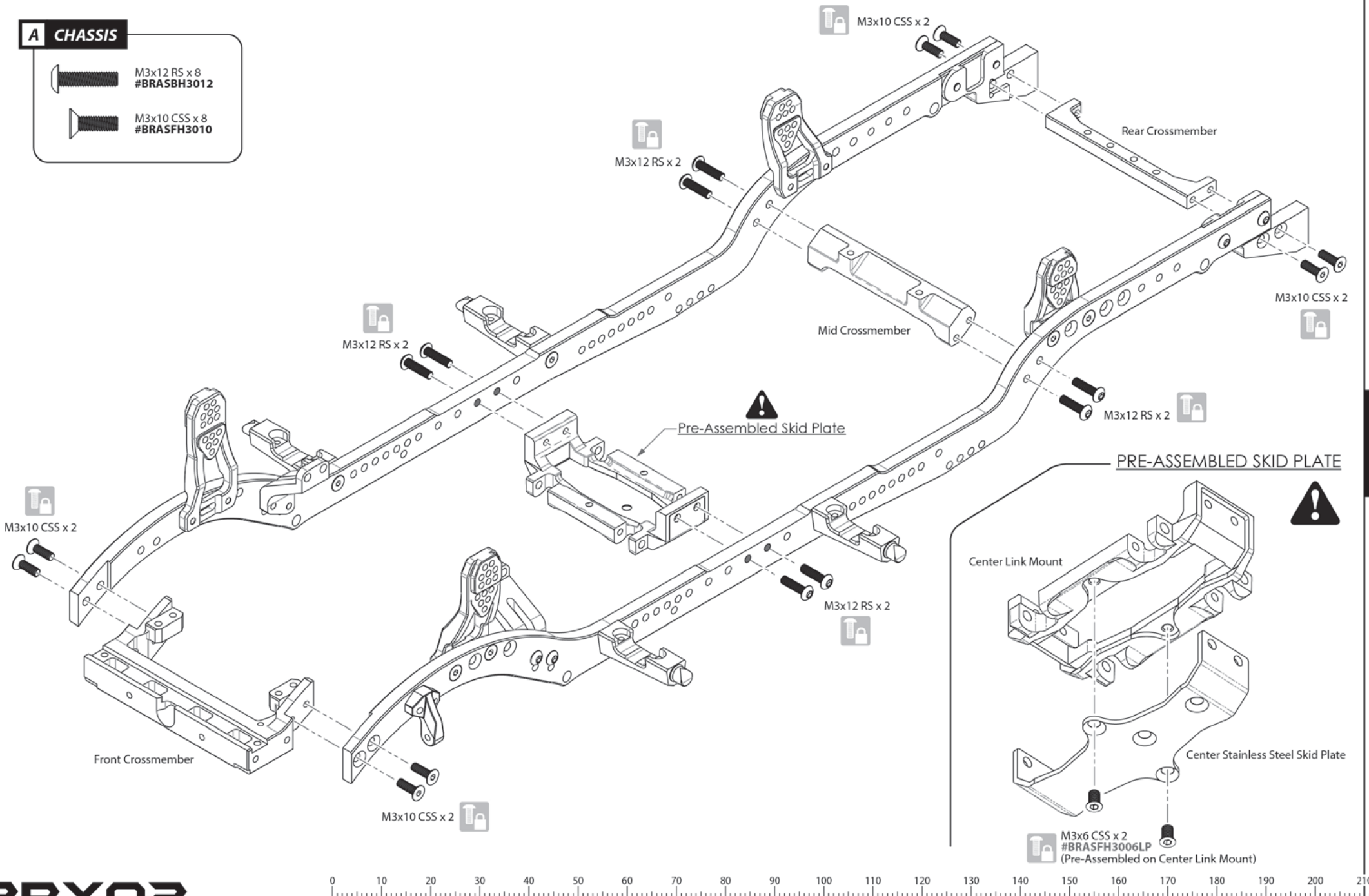
CHASSIS

CHASSIS

A CHASSIS

M3x12 RS x 8
#BRASBH3012

M3x10 CSS x 8
#BRASFH3010



M3x10 CSS x 2

M3x12 RS x 2

Rear Crossmember

M3x10 CSS x 2

Mid Crossmember

M3x12 RS x 2

Pre-Assembled Skid Plate

M3x12 RS x 2

PRE-ASSEMBLED SKID PLATE

M3x10 CSS x 2

Front Crossmember

M3x12 RS x 2

Center Link Mount

Center Stainless Steel Skid Plate

M3x10 CSS x 2

M3x6 CSS x 2
#BRASFH3006LP
(Pre-Assembled on Center Link Mount)

BRX02



CHASSIS

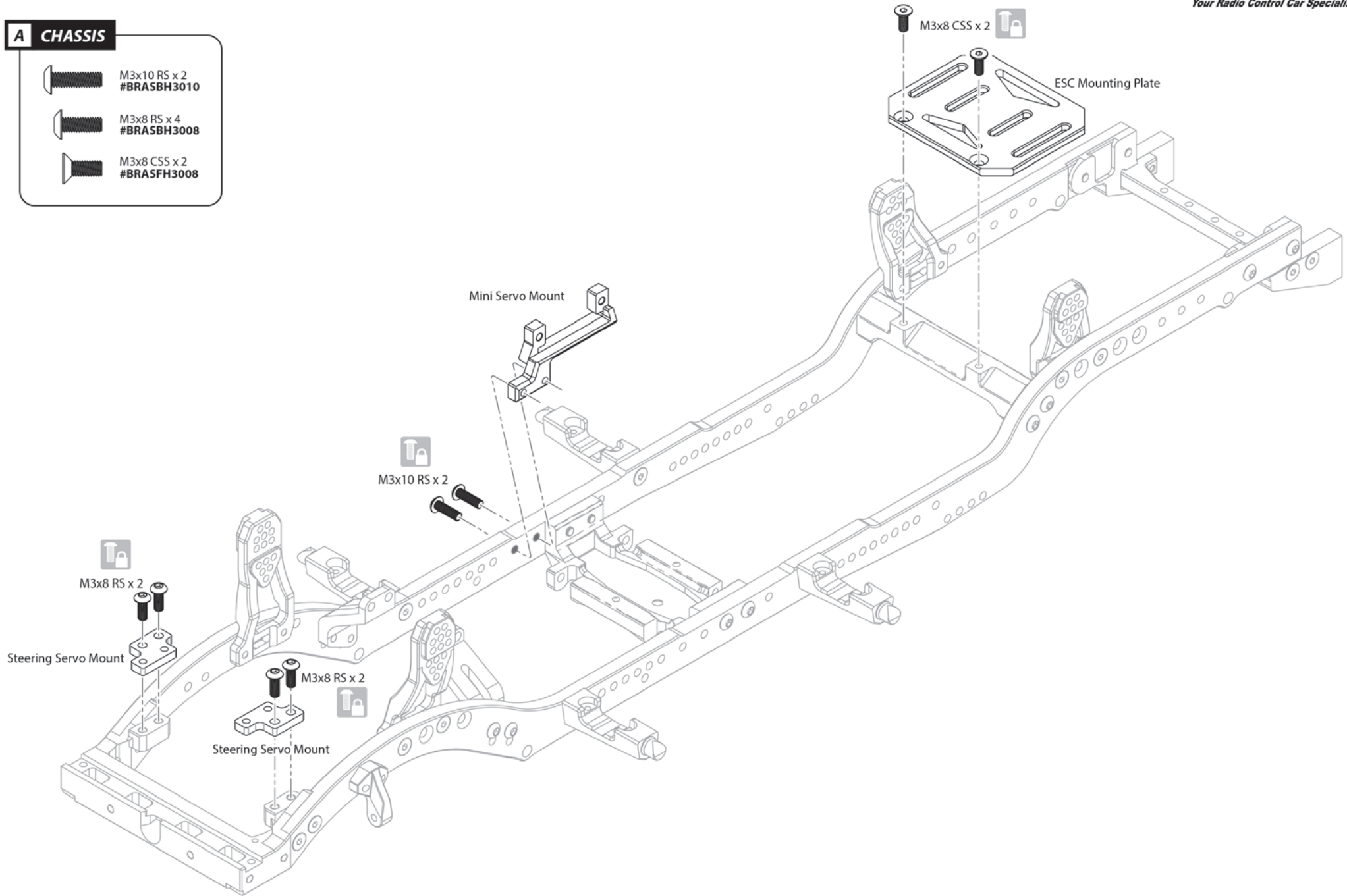
CHASSIS

A CHASSIS

M3x10 RS x 2
#BRASBH3010

M3x8 RS x 4
#BRASBH3008

M3x8 CSS x 2
#BRASFH3008



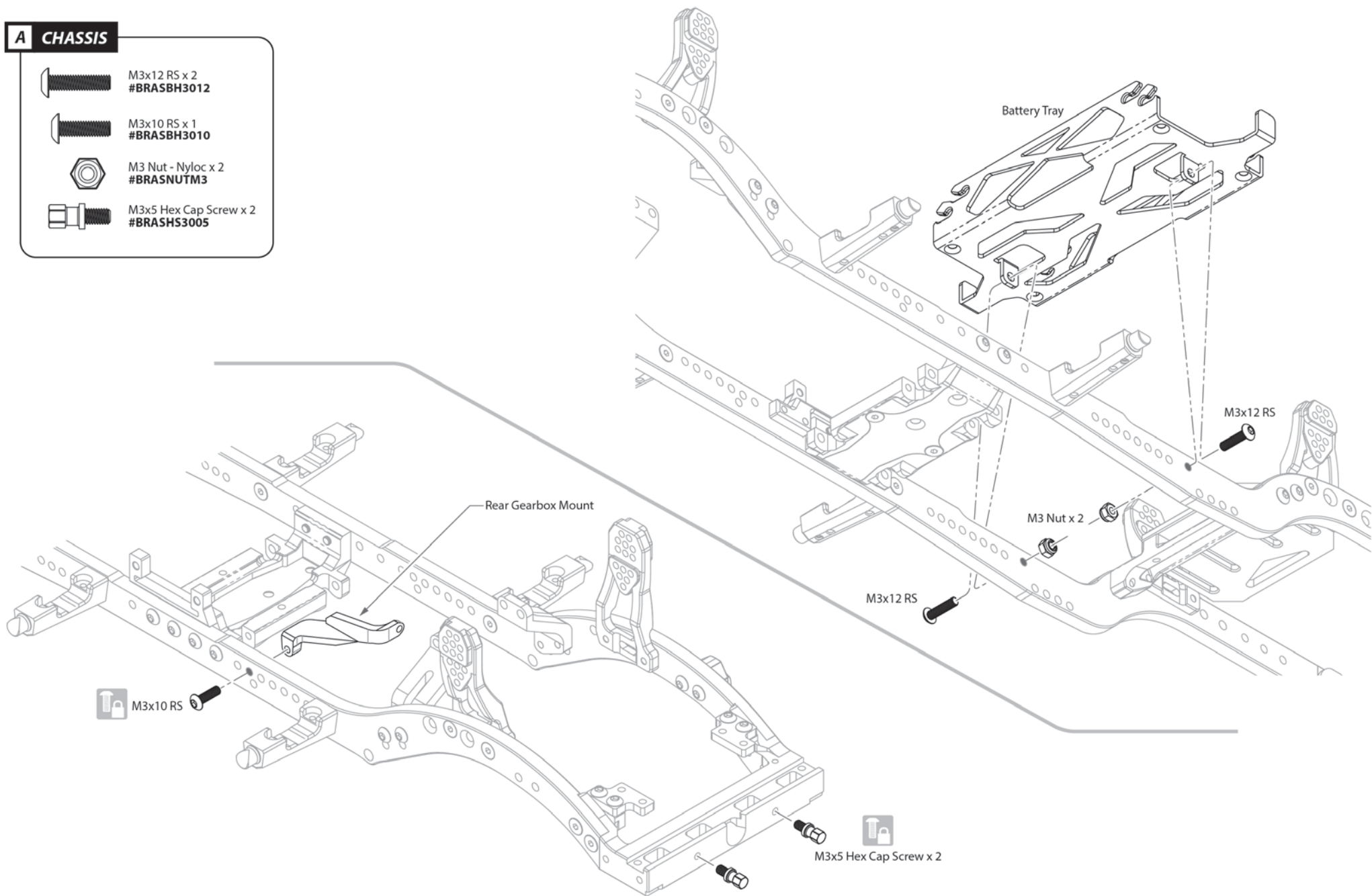
A CHASSIS

M3x12 RS x 2
#BRASBH3012

M3x10 RS x 1
#BRASBH3010

M3 Nut - Nyloc x 2
#BRASNUTM3

M3x5 Hex Cap Screw x 2
#BRASHS3005

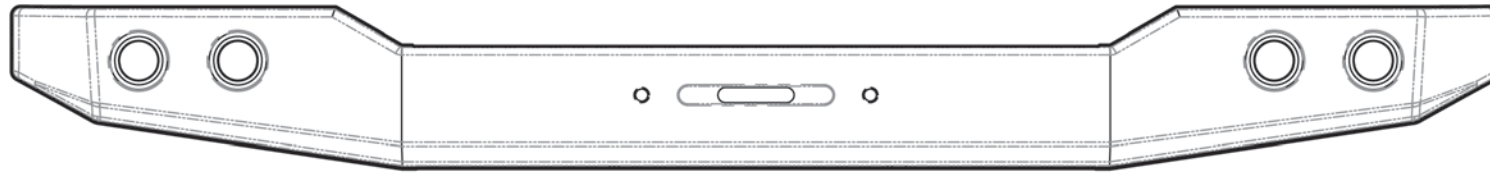


CHASSIS

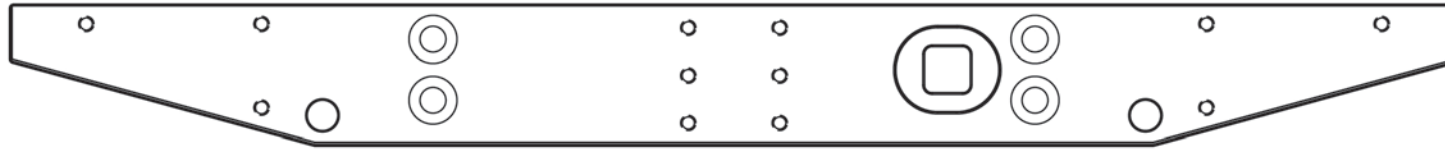
CHASSIS

3 - BUMPERS

Parts Needed:



Front Bumper x 1
#BRX020015F

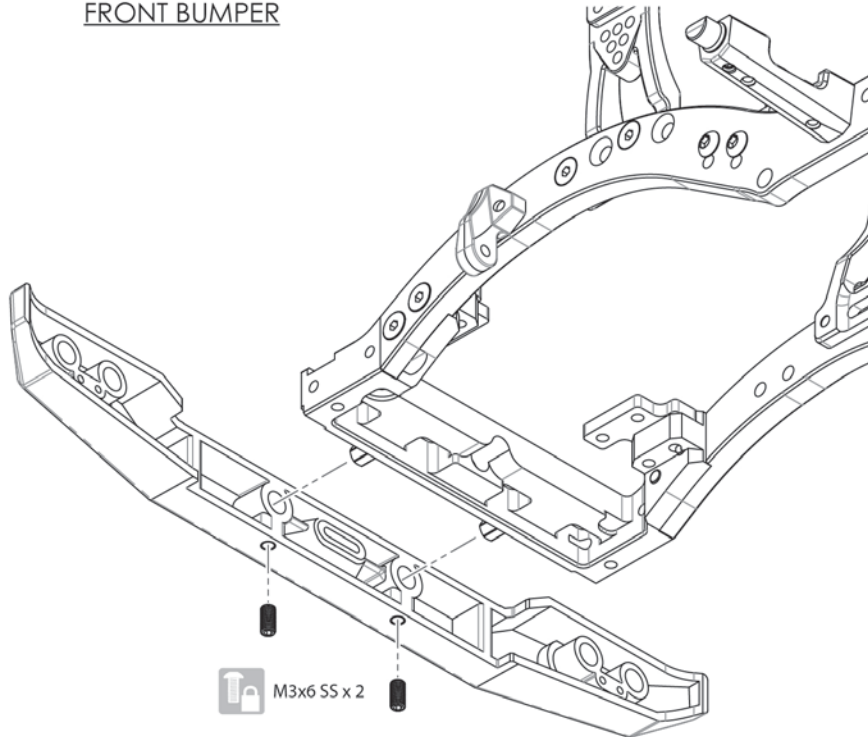


Rear Bumper x 1
#BRX020015R

A CHASSIS

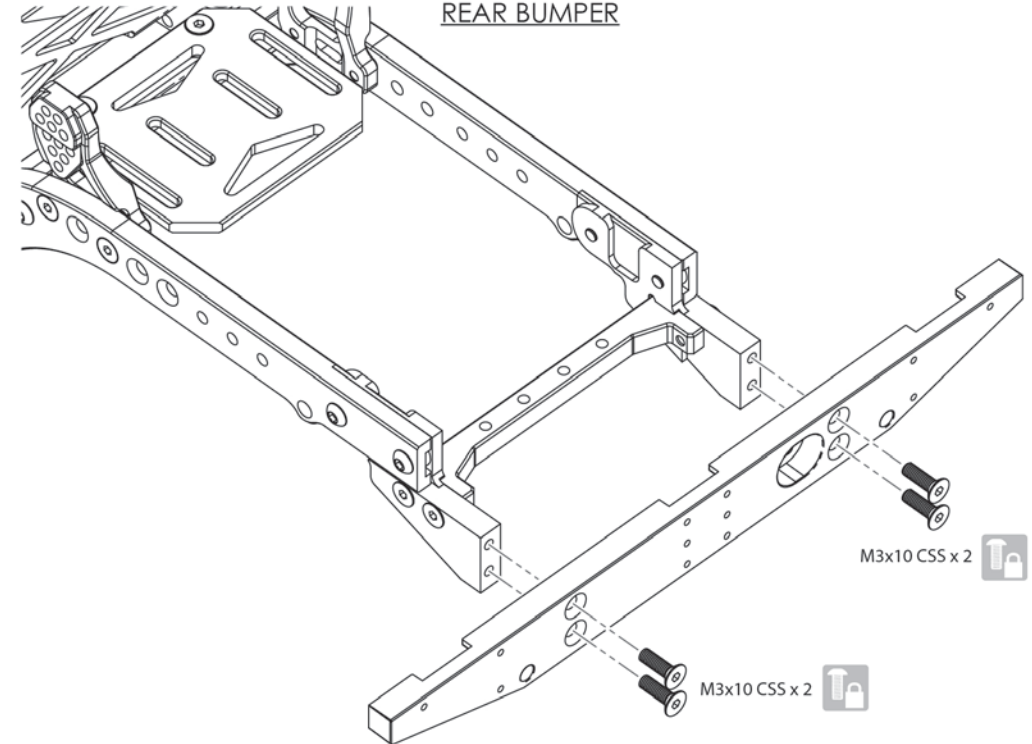
-  M3x10 CSS x 4
#BRASFH3010
-  M3x6 SS x 2
#BRASST3006

FRONT BUMPER



 M3x6 SS x 2

REAR BUMPER



M3x10 CSS x 2 

M3x10 CSS x 2 

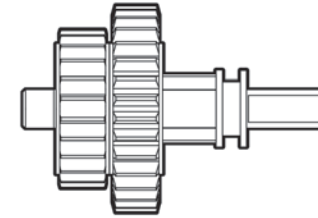
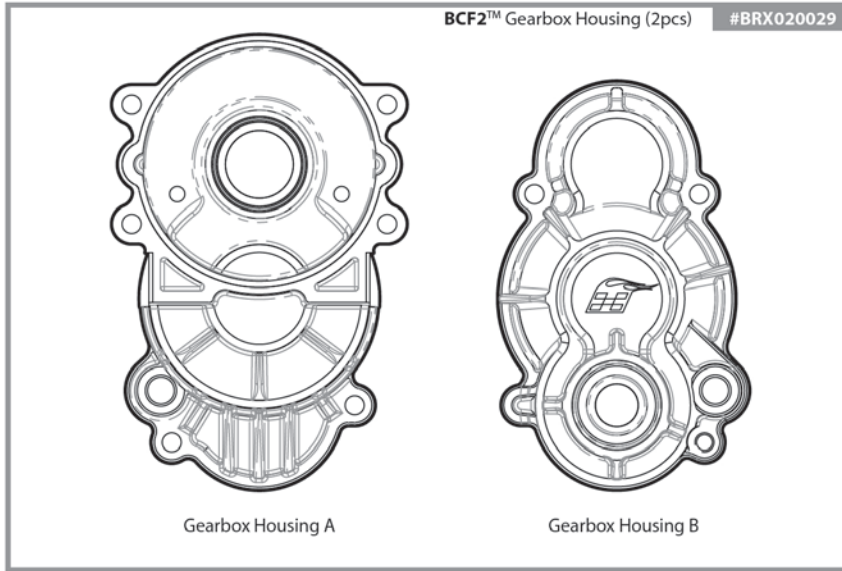


BUMPERS

BUMPERS

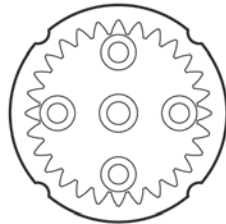
4 - GEARBOX

Parts Needed:



2-Speed Gear Unit x 1
#BRLC7044C

I GEARS, SHAFTS & BEARINGS - GEAR BOX



Internal Spur Gear 28T x 1
#BRLC7031



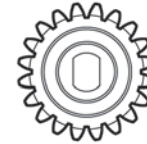
Spur Gear Mount x 1
#BRLC7030



Spur Gear 12T x 1
#BRLC7029-12T



Spur Gear 15T x 1
#BRLC7029-15T



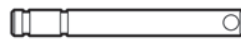
Spur Gear 20T x 2
#BRLC7029-20T



D5x11x4 Ball Bearing x 7
#BBZMR1152R5



D7x11x3 Ball Bearing x 1
#BBZMR1172R5



Shift Shaft x 1
#BRLC7045C



Shifter x 1
#BRLC7045B



Input Shaft x 1
#BRLC7044B



Output Shaft x 1
#BRLC7044C



Bearing Holder x 1
#BRX020029A

4.1

D GEARBOX / TRANSFER CASE

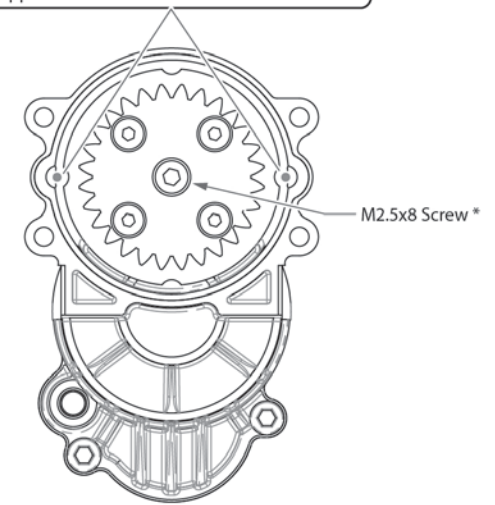
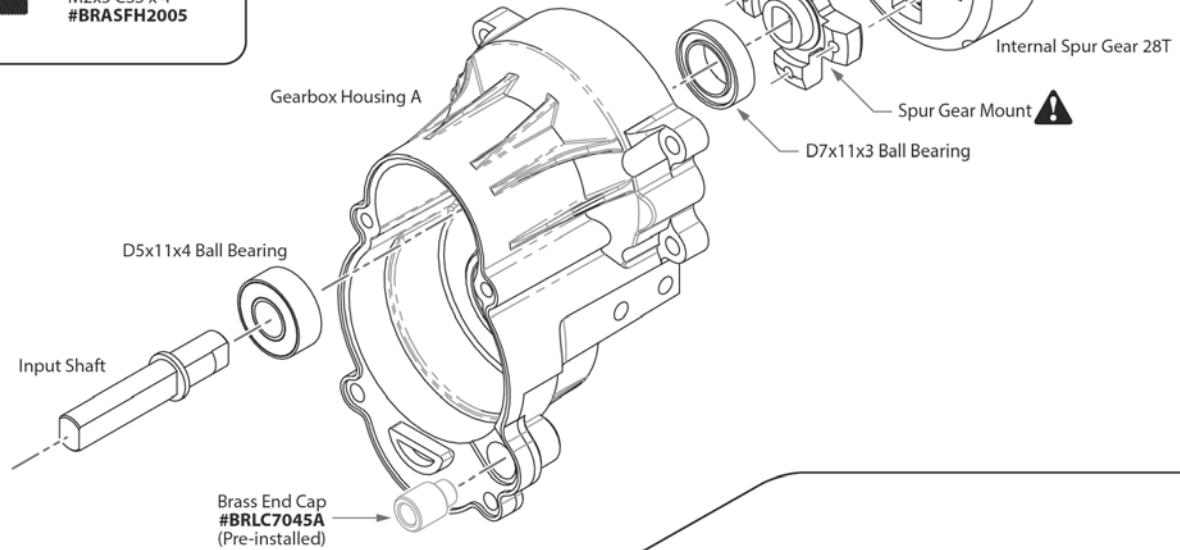
M2.5x8 CSS x 1
#BRASFH2508

M2x5 CSS x 4
#BRASFH2005

! Fit the Spur Gear Mount onto the Spur Gear by tightening M2x5 countersunk screws.

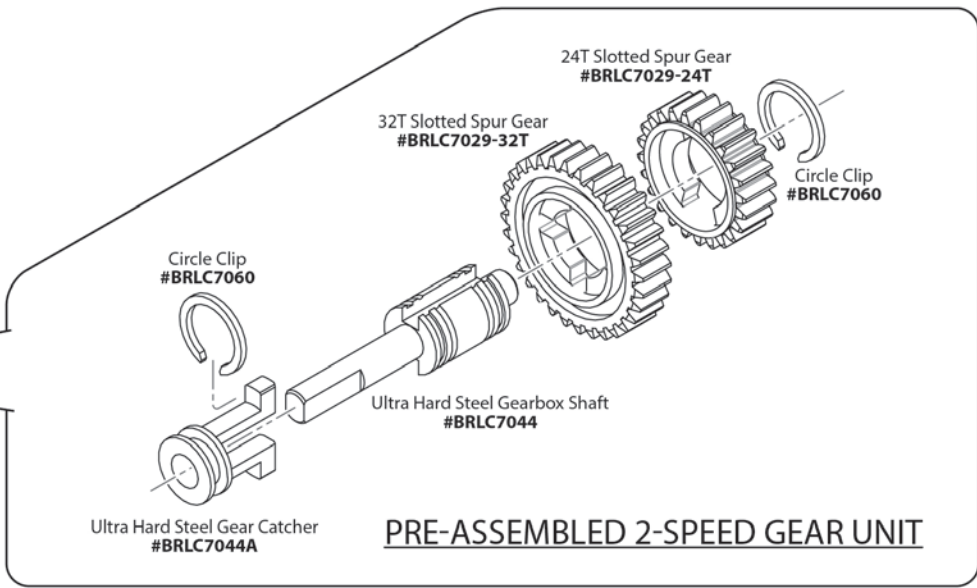
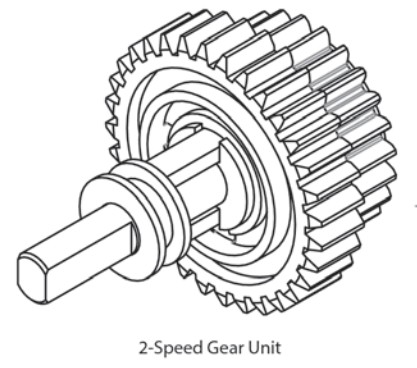
M2x5 CSS x 2
M2.5x8 CSS
M2x5 CSS x 2

To install or remove the spur gear from the gearbox, align the spur gear as pictured and temporarily insert two M3 screws** to act as stoppers.



* To install the spur gear, install the four M2x5 screws, then the center M2.5x8 screw.
* To remove the spur gear, remove the M2.5x8 screw, then remove the four M2x5 screws.
** If the spur gear can't be removed, place two long M3 screws and torque them both until the gear is released.

4.2



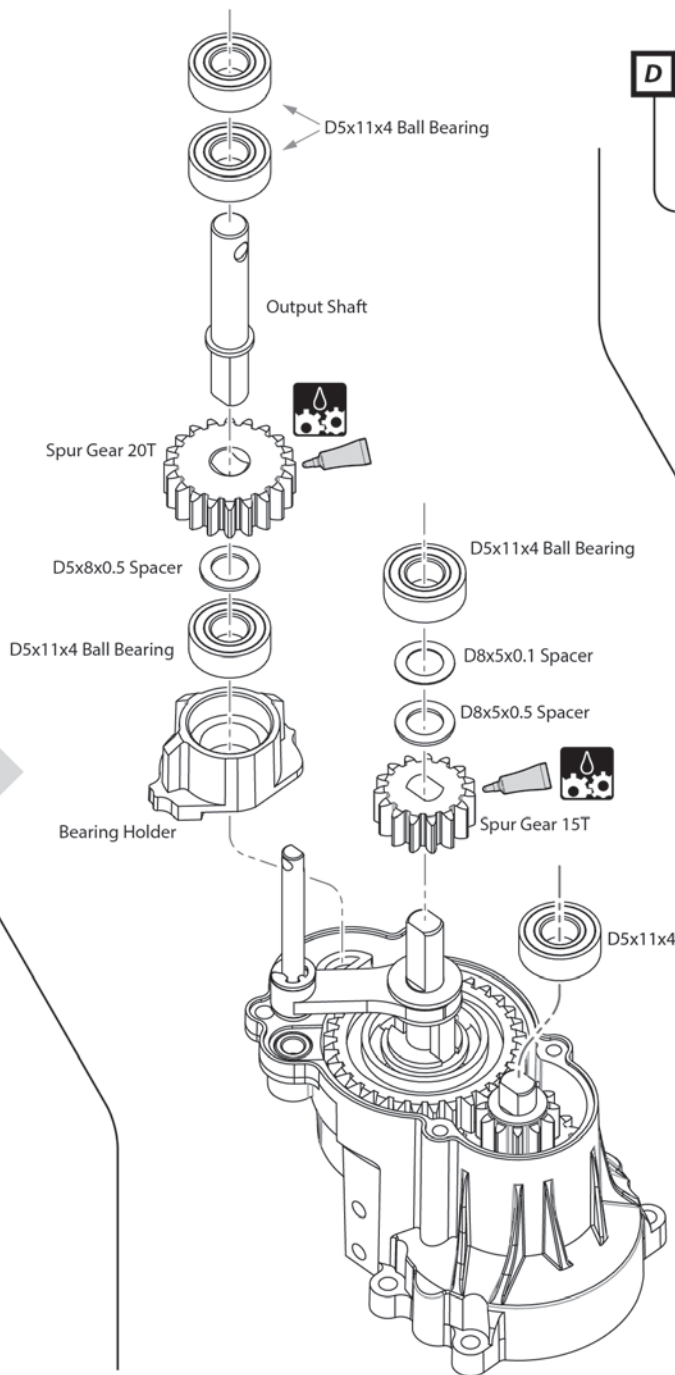
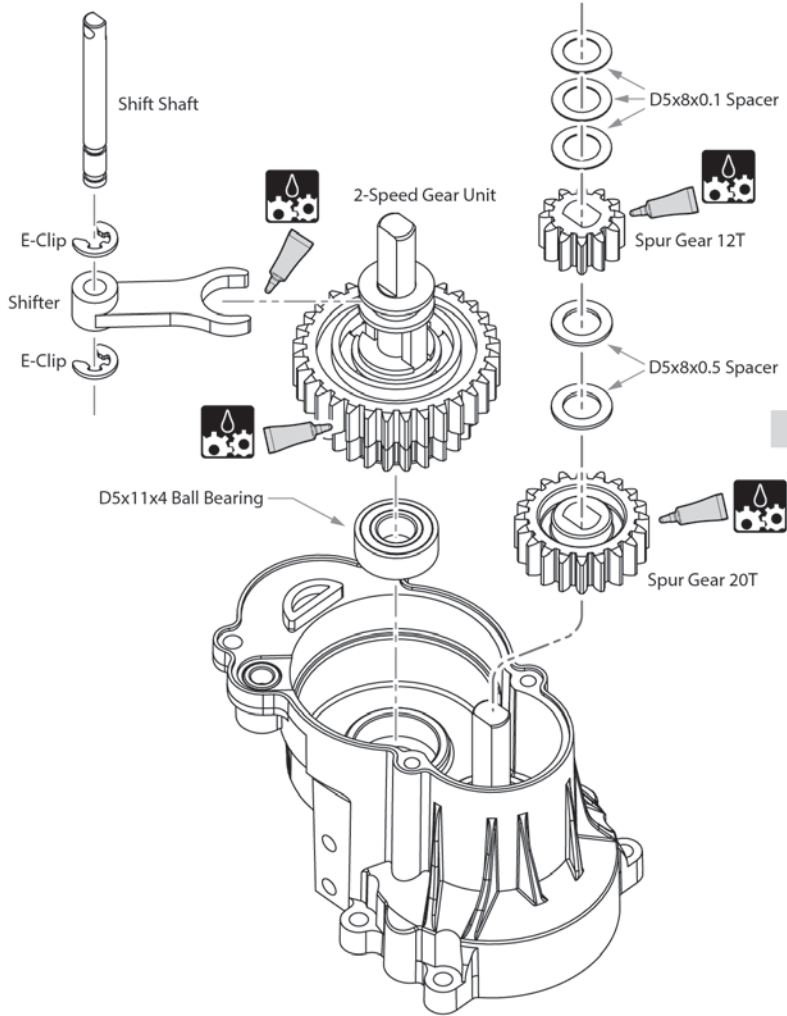
GEARBOX

GEARBOX

4.3

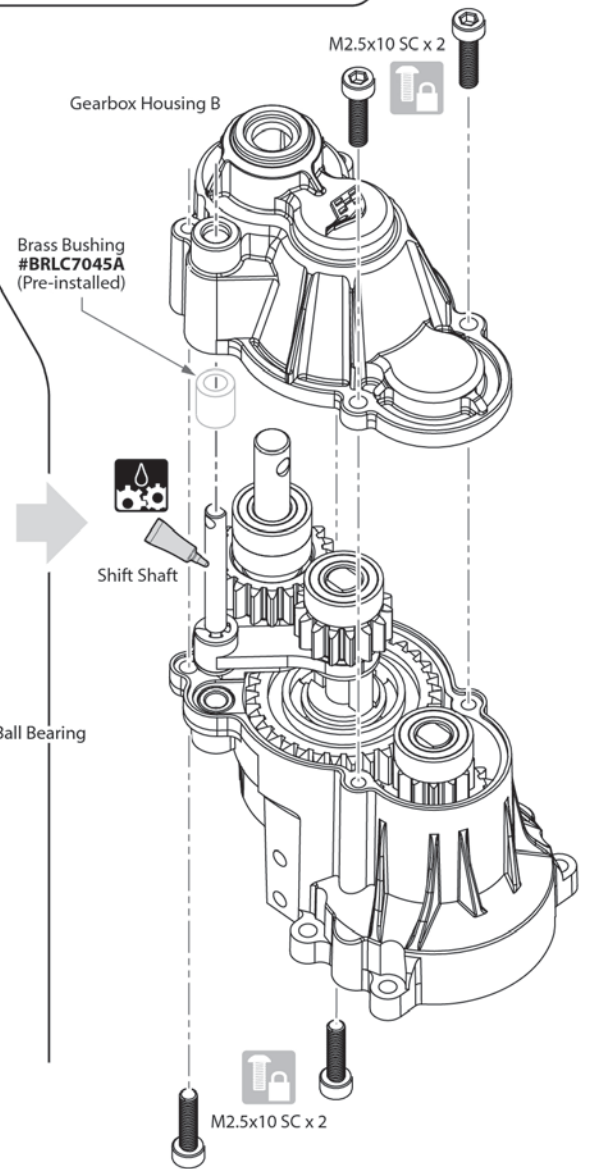
D GEARBOX / TRANSFER CASE

-  D5x8x0.5 Spacer x 4
#BRASSPD5805
-  E-Clip x 2
#BRASEC30
-  D5x8x0.1 Spacer x 4
#BRASSPD5801



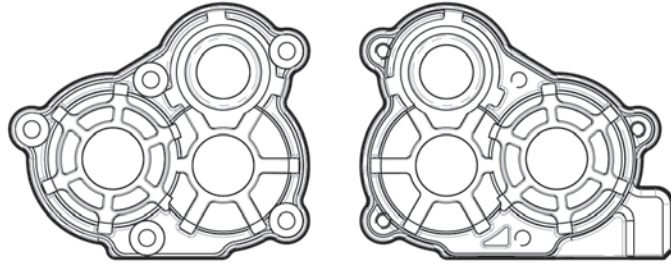
D GEARBOX / TRANSFER CASE

-  M2.5x10 SC x 4
#BRASCH2510



5 - TRANSFER CASE

Parts Needed:



SRD™ Transfer Case Housing
#BRX020047

D GEARBOX / TRANSFER CASE



M2x8 SC x 5
#BRASFCH2008

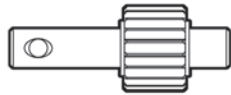


D2x10 Pin x 2
#BRASPIN210

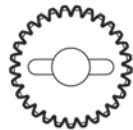


D5x8x0.5 Spacer x 4
#BRASSPD5805

H GEARS, SHAFTS & BEARINGS - TRANSFER CASE



Input Shaft w/ 20T Spur Gear x1
#BRLC7046-A



29T Spur Gear x2
#BRLC7046-B



Two Ends Output Shaft x1
#BRLC7046-C



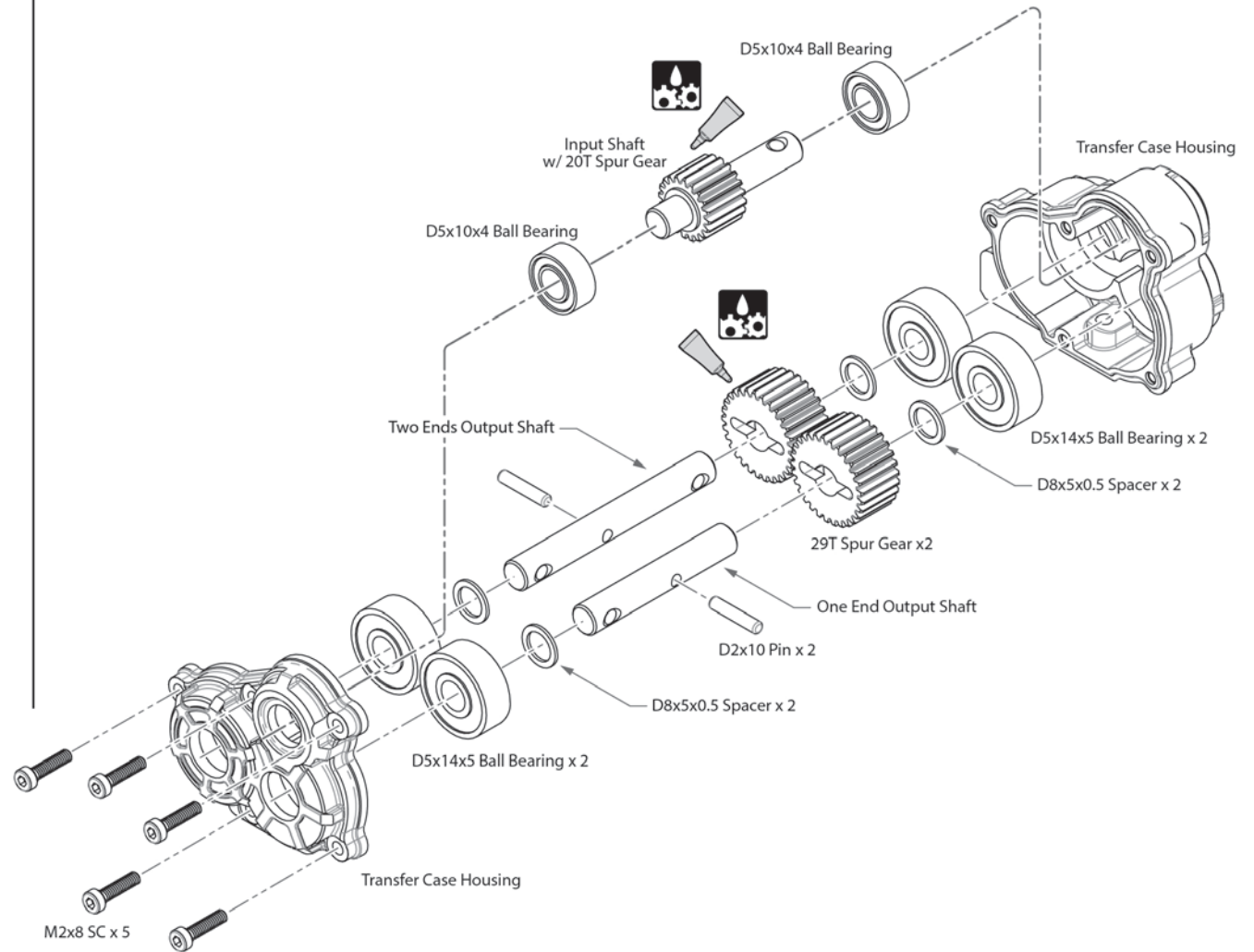
One End Output Shaft x1
#BRLC7046-D



D5x10x4 Ball Bearing x 2
#BBZMR1052RS



D5x14x5 Ball Bearing x 4
#BBZ6052RS









TRANSFER CASE

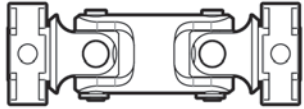
TRANSFER CASE

6 - TRANSMISSION

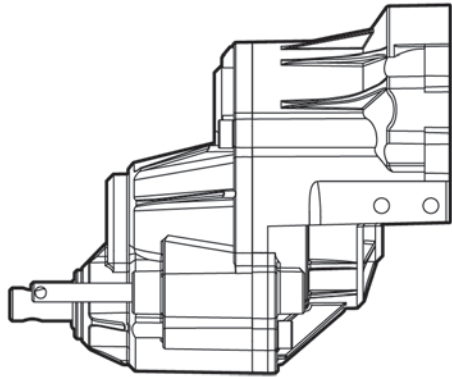
Parts Needed:

D GEARBOX / TRANSFER CASE

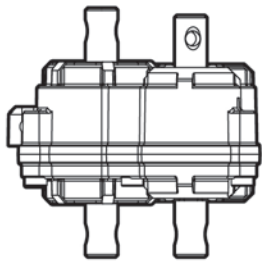
-  M3x8 RS x 4
#BRASBH3008
-  M3x10 CSS x 1
#BRASFH3010
-  M3x6 CSS x 1
#BRASFH3006
-  M2.5x8 SC x 1
#BRASCH2508
-  M3/2.4x12 SS x 2
#BRASST3024/DS
-  D5x7x3 Spacer x 1
#BRASSPD5703



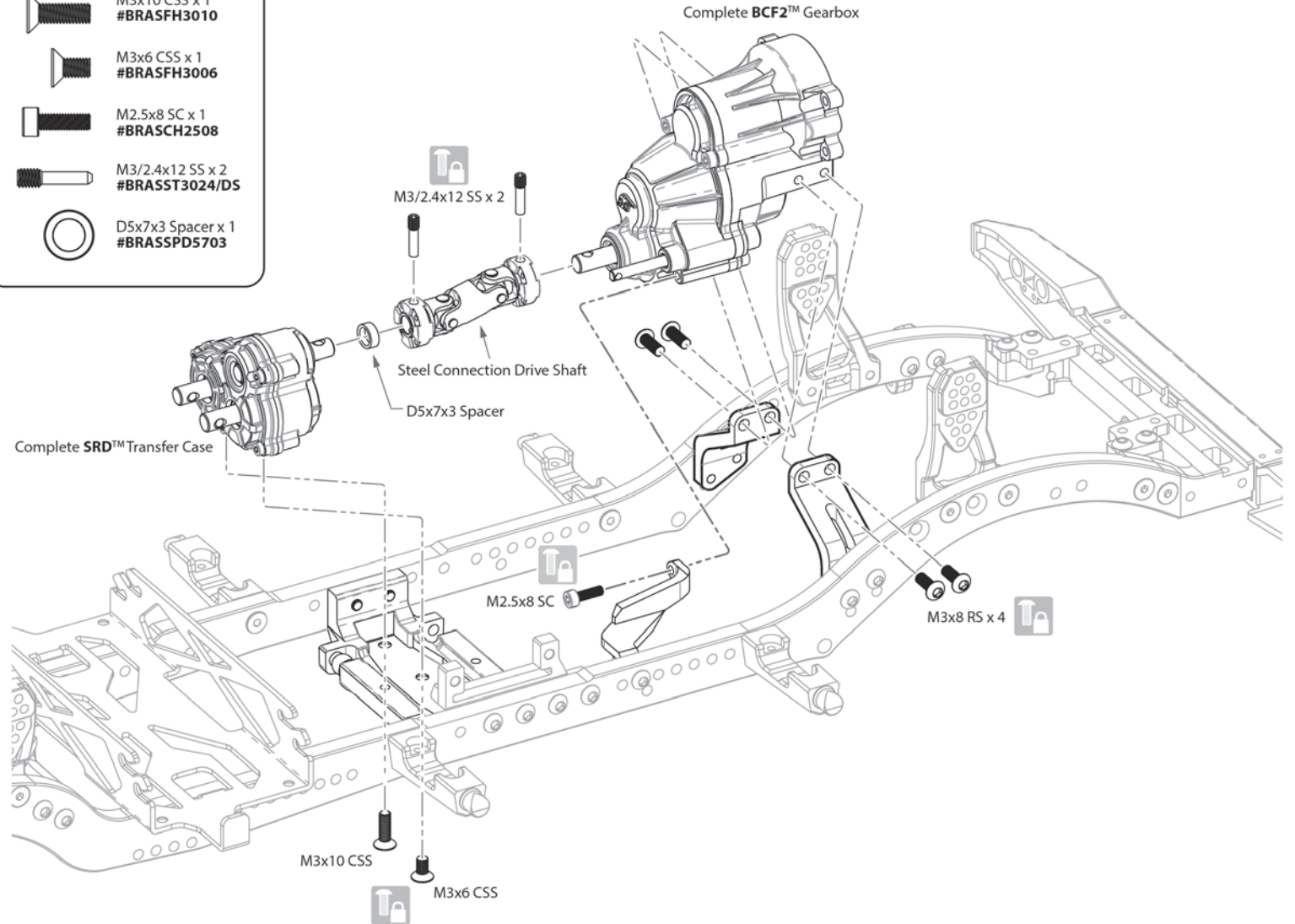
Steel Connection Drive Shaft (33mm)
#BRX020028



Complete BCF2™ Gearbox

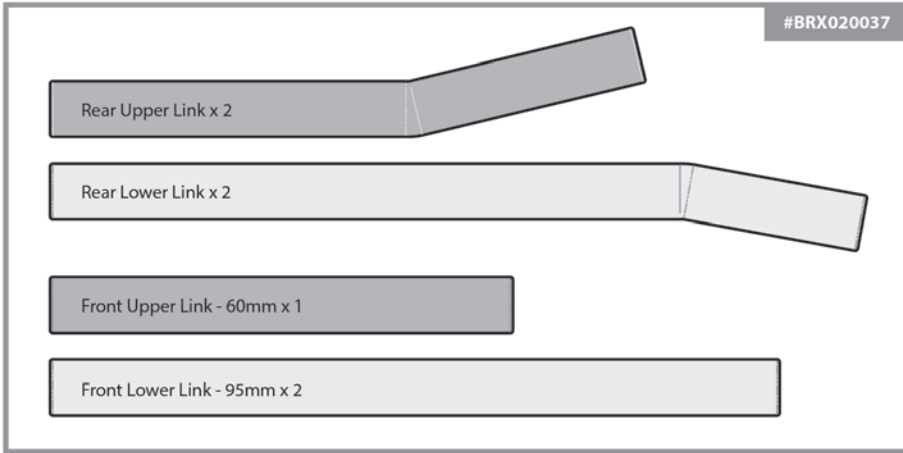


Complete SRD™ Transfer Case

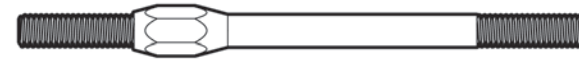
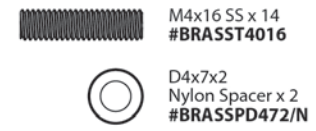


7 - LINKS

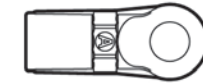
Parts Needed:



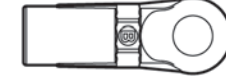
B LINKS / SHOCKS



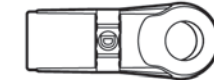
Panhard Bar x 1
#BRX020026



KUDU™
Nylon Rod End (Straight 18.5mm) x 10
#BRW750306A



KUDU™
Nylon Rod End (Straight 21.8mm) x 2
#BRW750309B

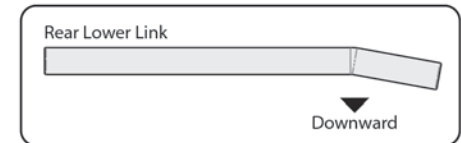
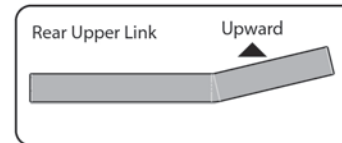
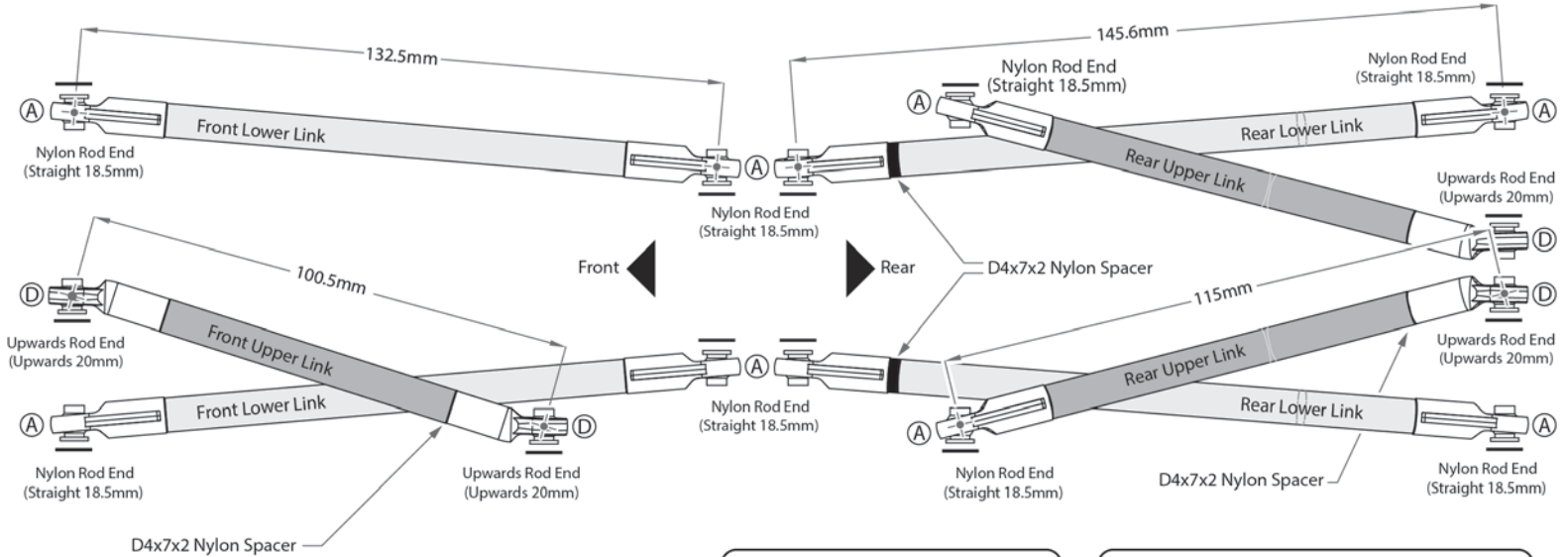
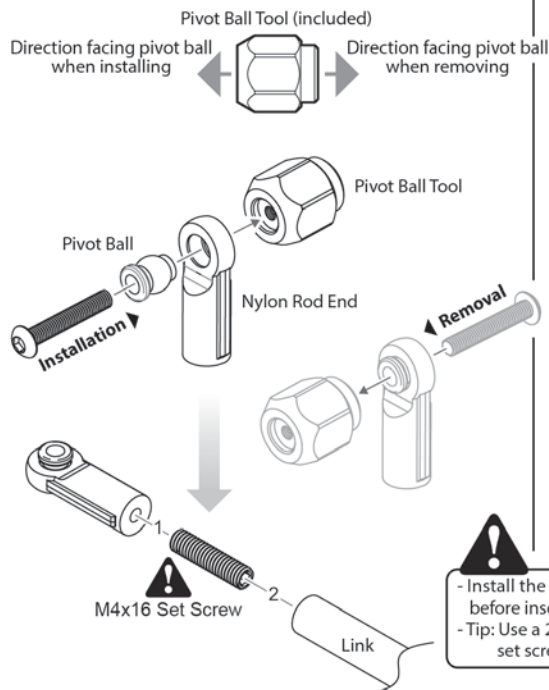


KUDU™
Nylon Rod End (Upwards 20mm) x 4
#BRW750307D



BADASS™
Stainless Steel Pivot Ball x 16
#BRW750300

ROD END INSTALLATION



LINKS

LINKS

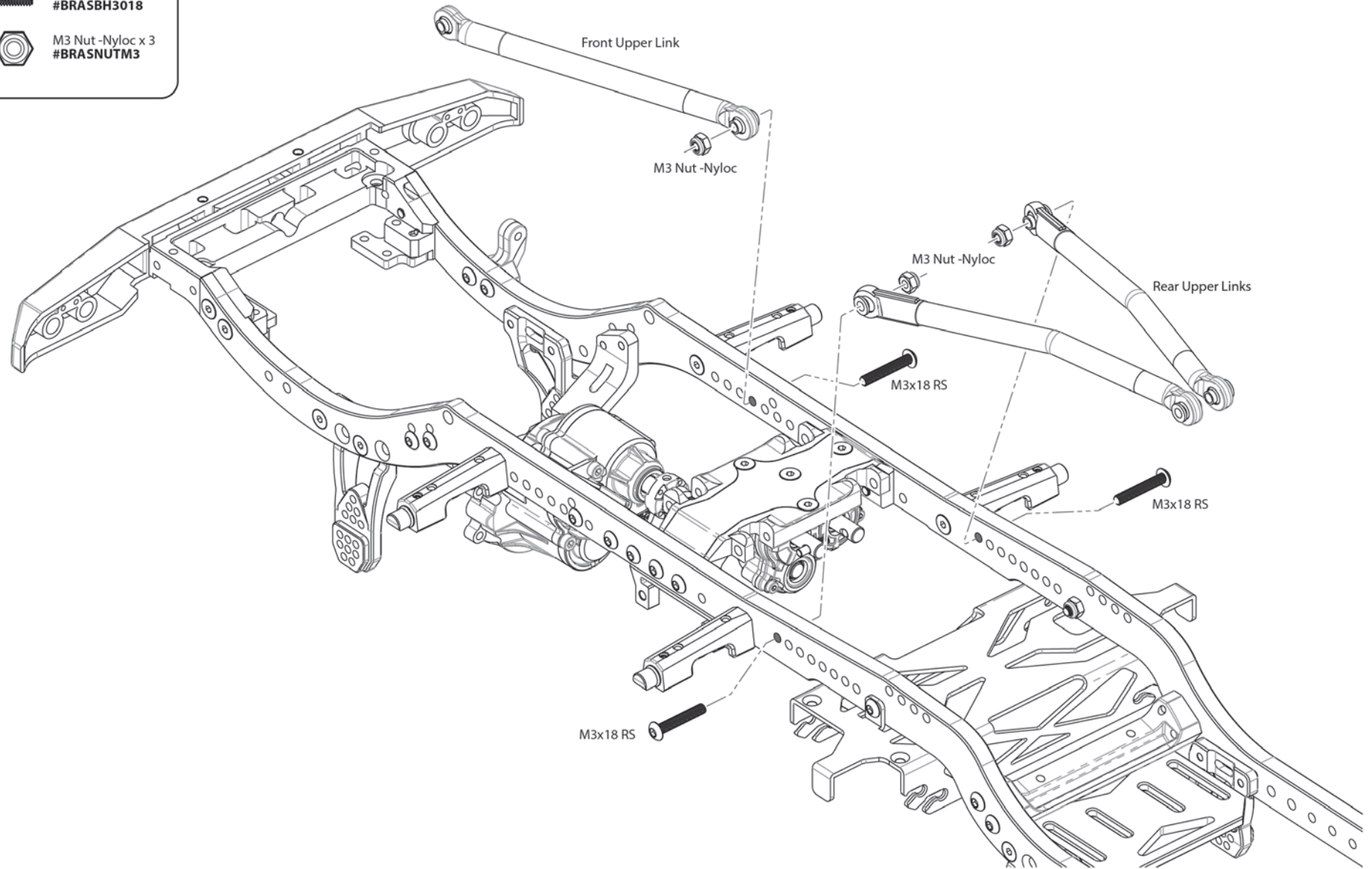
B LINKS / SHOCKS



M3x18 RS x 3
#BRASBH3018



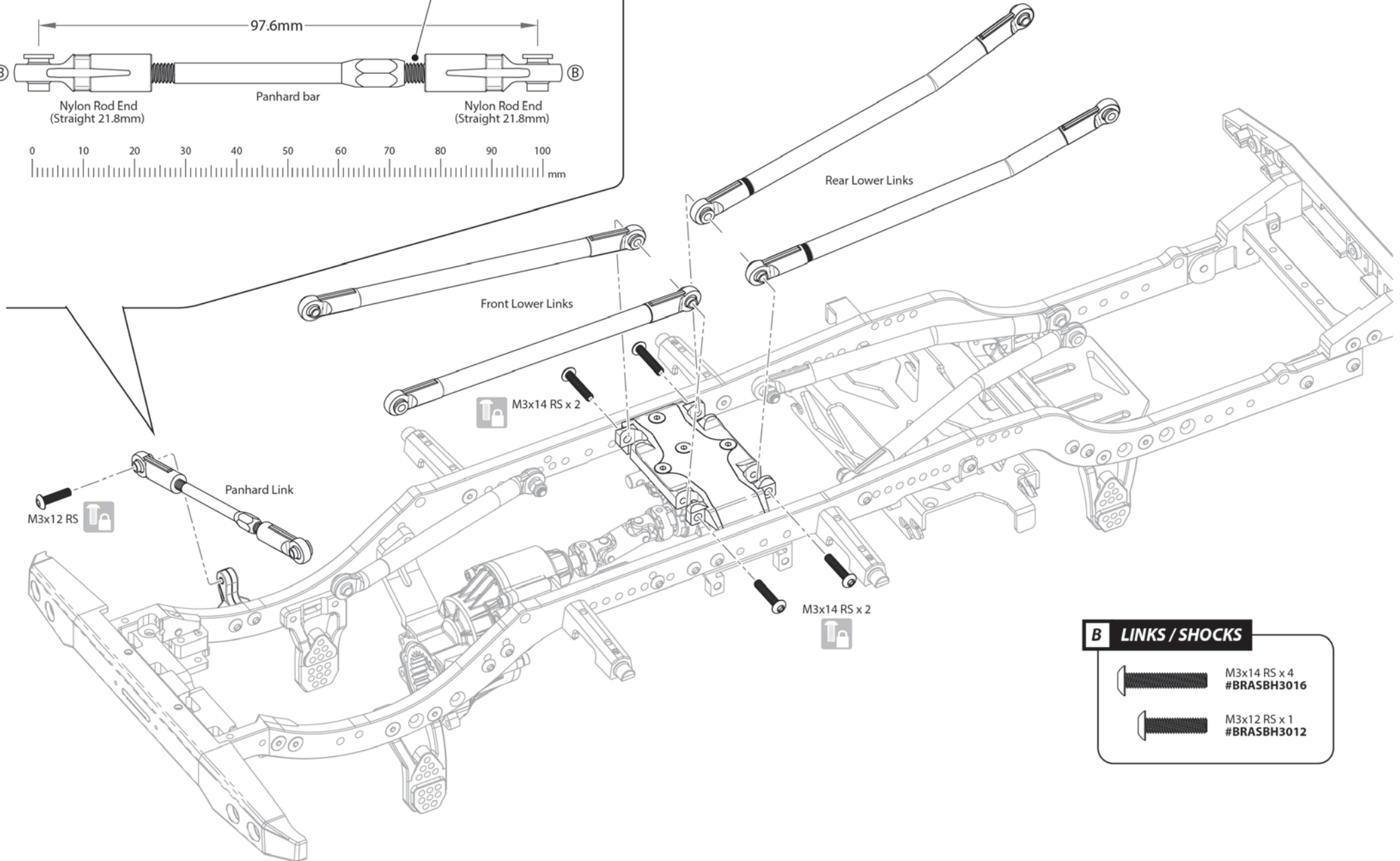
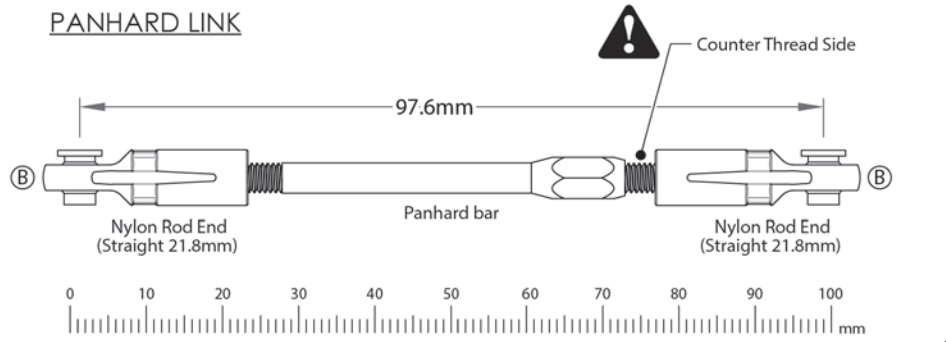
M3 Nut-Nyloc x 3
#BRASNUTM3



LINKS

LINKS

PANHARD LINK



B LINKS / SHOCKS

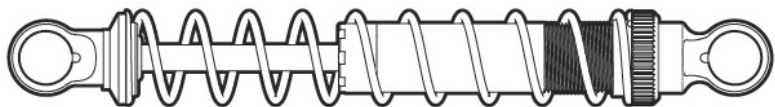
- M3x14 RS x 4
#BRASBH3016
- M3x12 RS x 1
#BRASBH3012

LINKS

LINKS

8 - SHOCKS

Parts Needed:



KUDU™ 90mm Medium (Green) Coilover Scale Shock Absorber x 4
#BRSH0090-SP

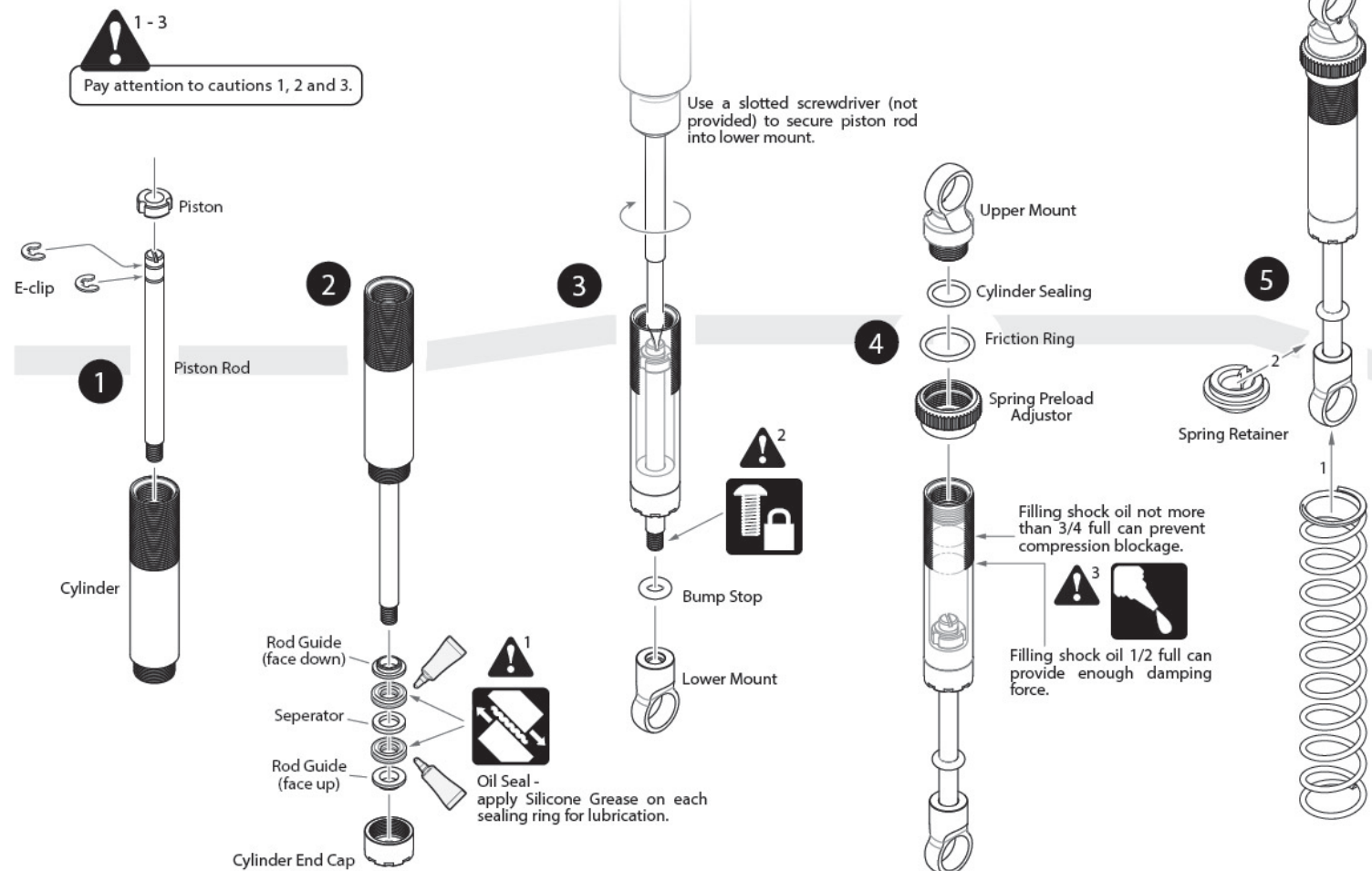


Shock End Pivot Ball x 8
#BRW750310

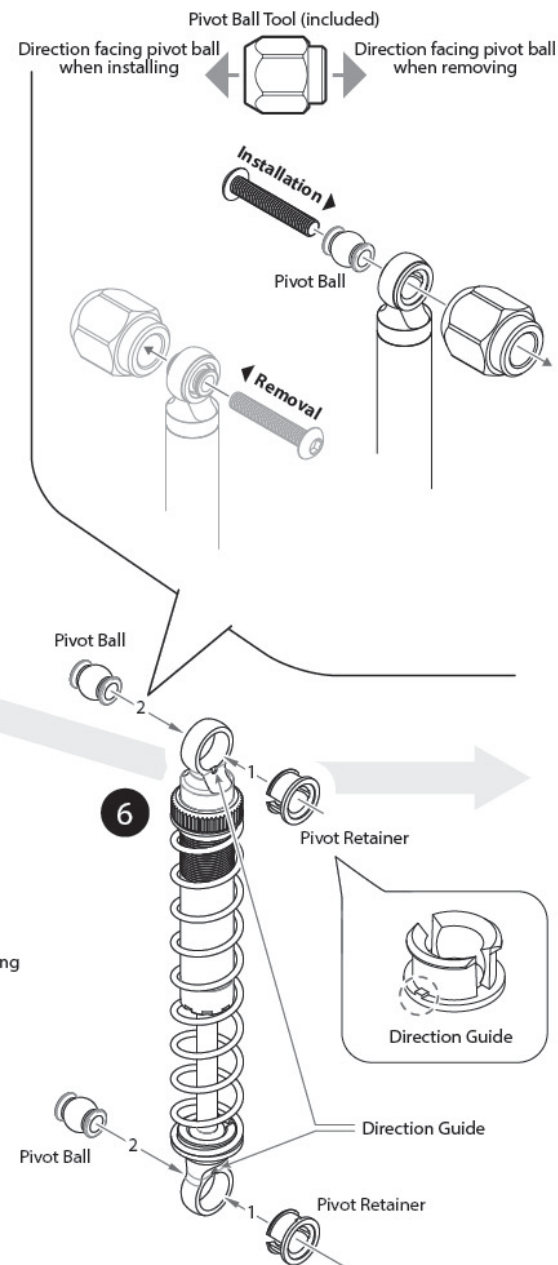


Joint Retainer x 8
#BRSHJR

SHOCKS INSTALLATION & SETUP

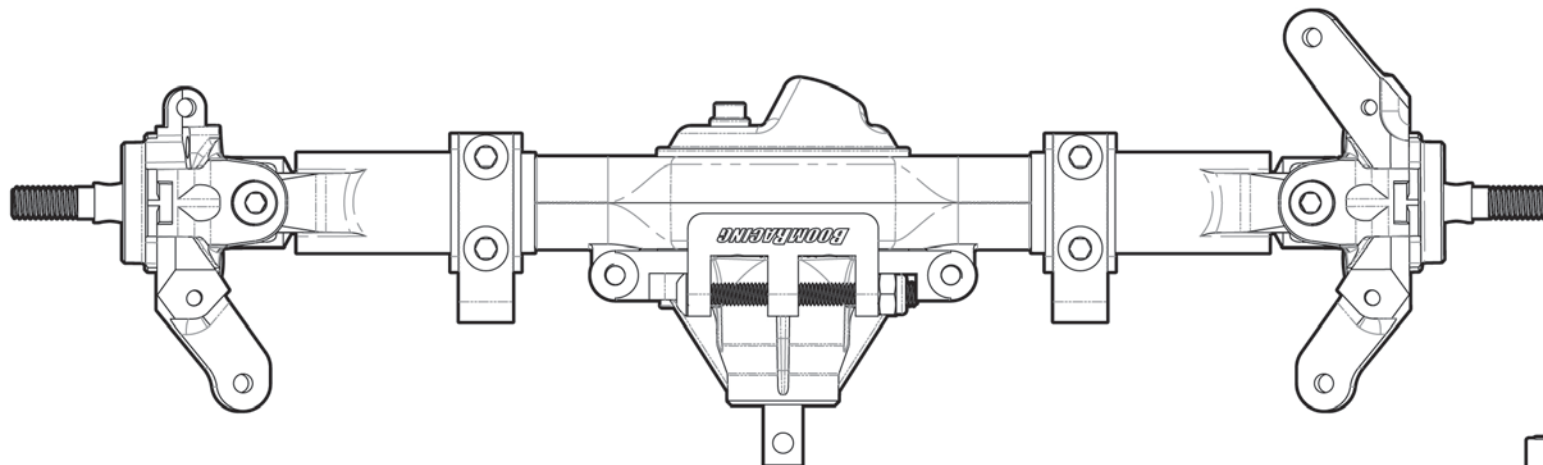


PIVOT BALL INSTALLATION & REMOVAL



9 - AXLES & SHOCKS

Parts Needed:



BRX90 Complete Front PHAT™ Axle LINK Ver. x 1
#BRX02022LK



Axle Panhard Mount x 1
#BRX020024



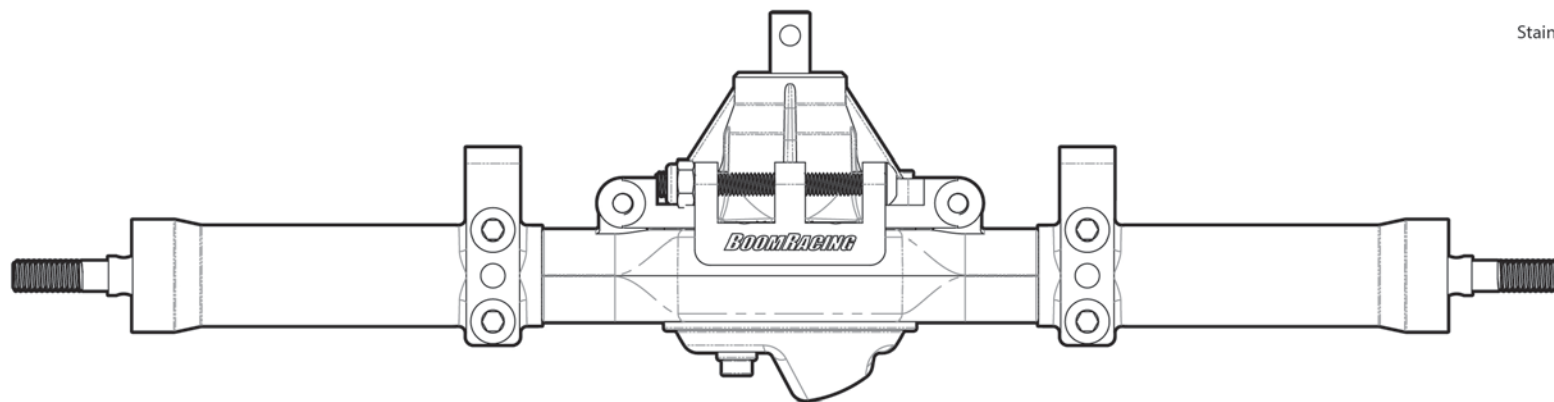
Stainless Steel Tie Rod x 1
#BRD9022A



KUDU™
Nylon Rod End
(Straight 18.5mm) x 2
#BRW750306A





BADASS™
Stainless Steel Pivot Ball x 2
#BRW750300

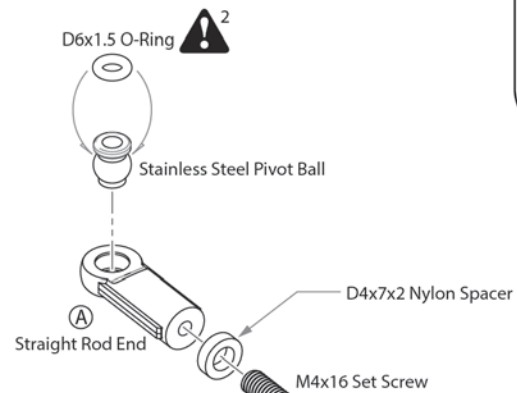


BRX90 Complete Rear PHAT™ Axle LINK Ver. x 1
#BRX020023LK


B LINKS / SHOCKS

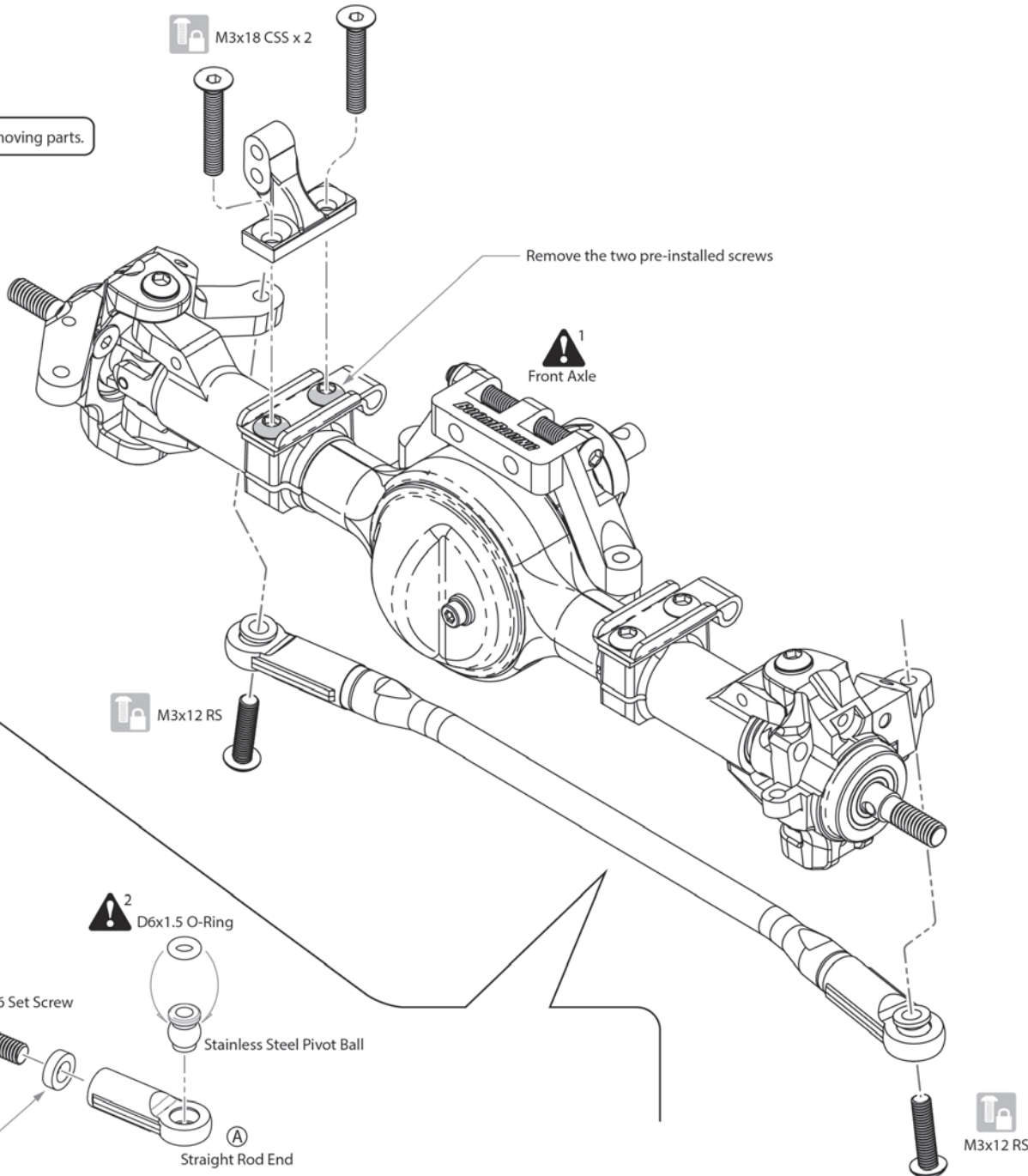
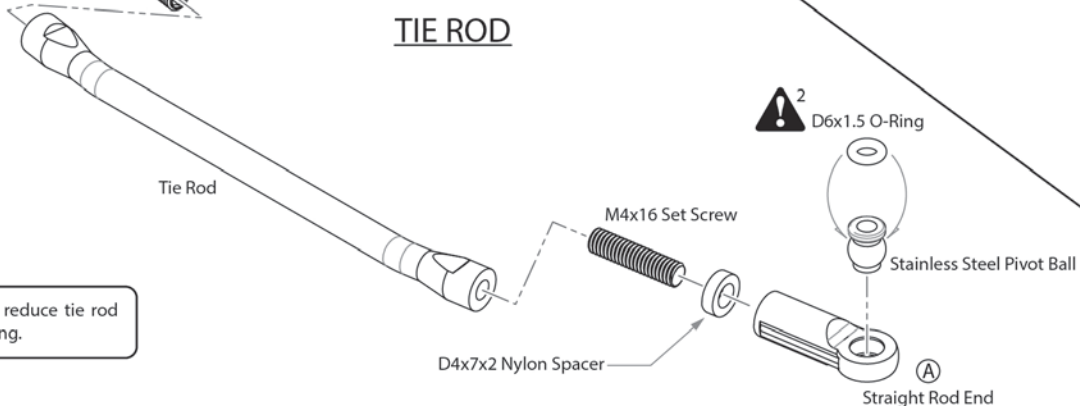
-  M3x12 RS x 2
#BRASBH3012
-  M3x18 CSS x 2
#BRASFH3018
-  M4x16 SS x 2
#BRASST4016
-  D6x1.5 O-Ring x 2
#BRORD6-15
-  D4x7x2
Nylon Spacer x 2
#BRASPD427/N

  Add thread lock to screws on moving parts.



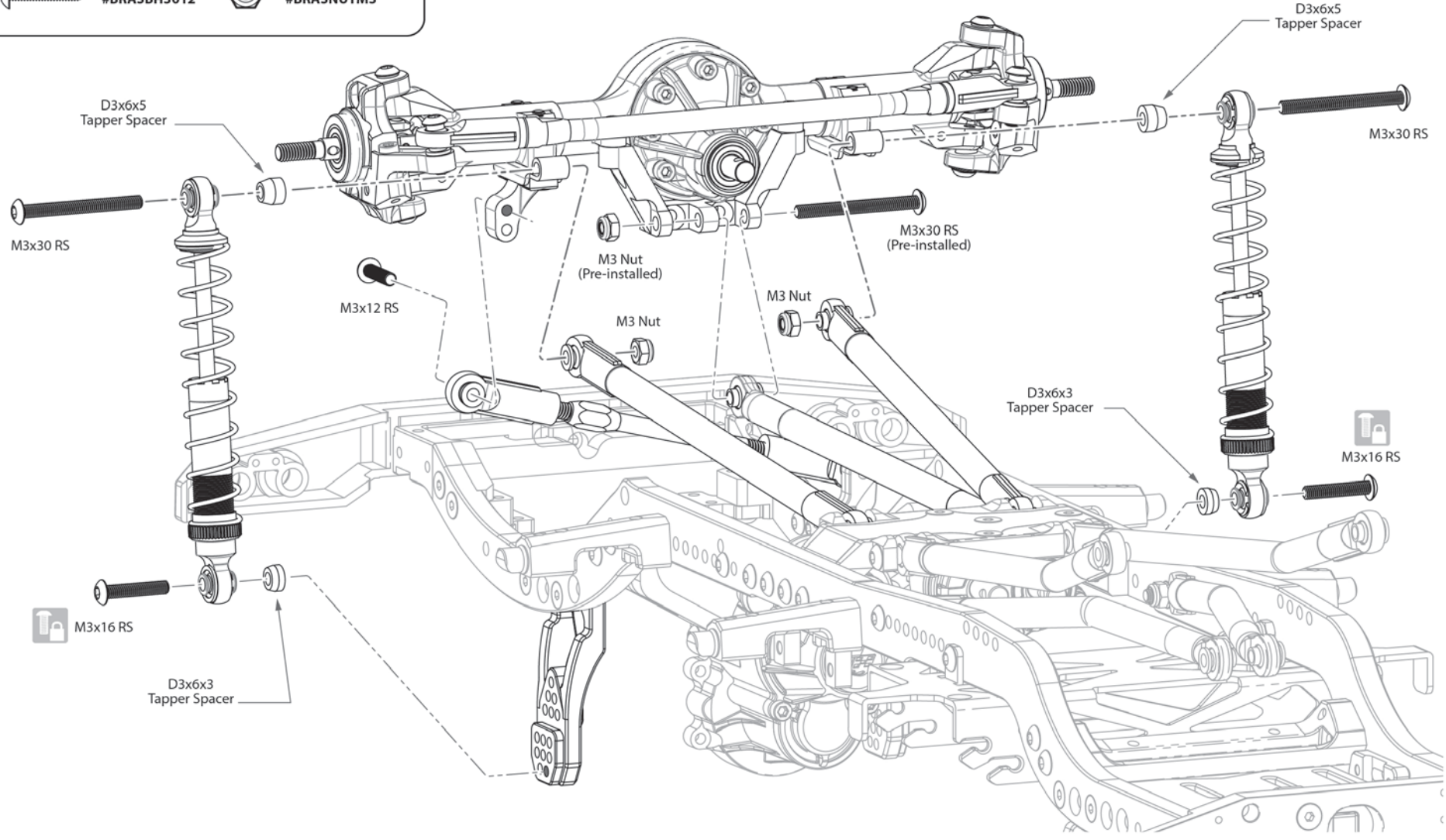
TIE ROD

 O-ring helps reduce tie rod from wobbling.








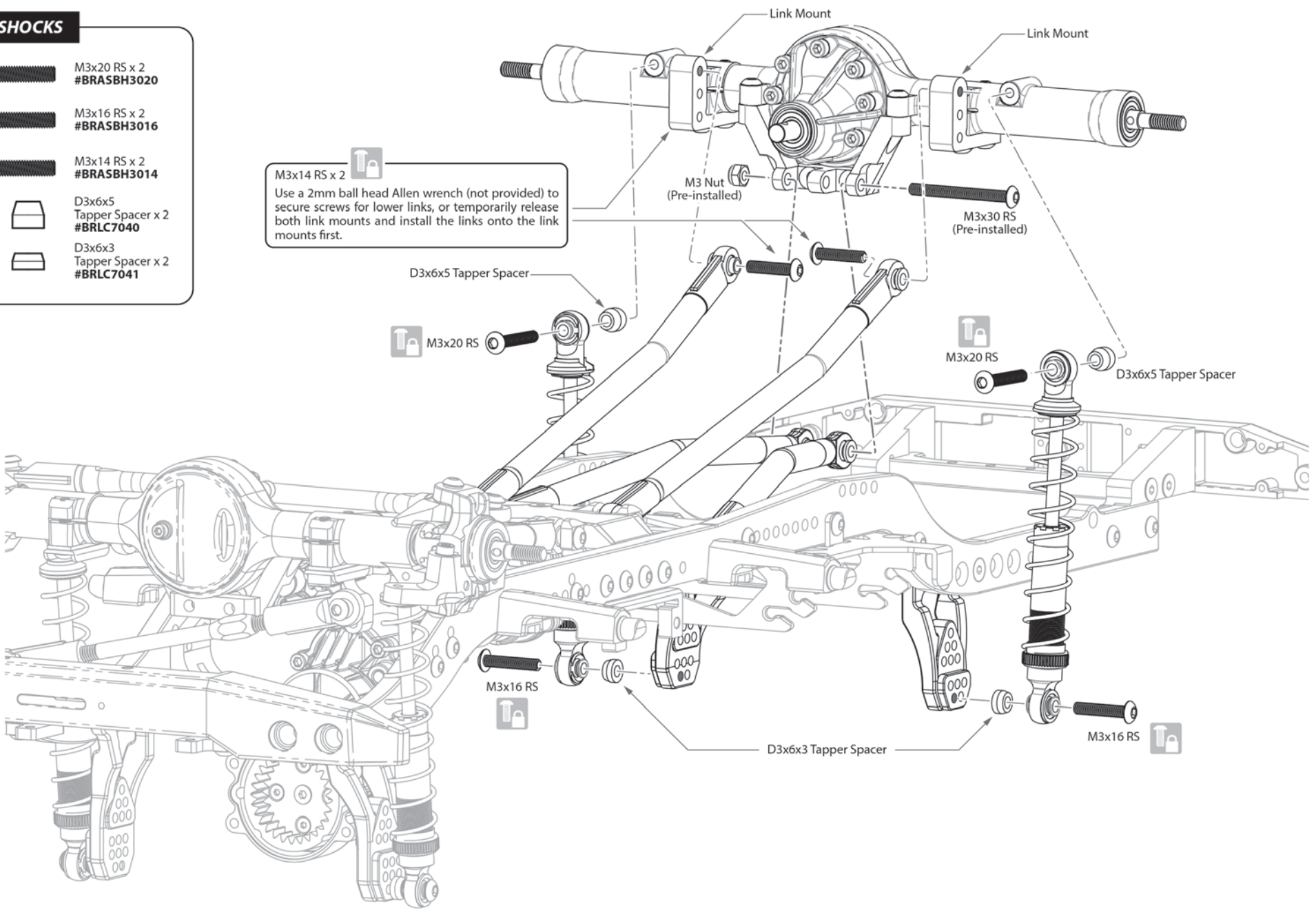
B LINKS / SHOCKS

- | | | | |
|---|-----------------------------|---|--|
|  | M3x30 RS x 2
#BRASBH3030 |  | D3x6x5
Tapper Spacer x 2
#BRLC7040 |
|  | M3x16 RS x 2
#BRASBH3016 |  | D3x6x3
Tapper Spacer x 2
#BRLC7041 |
|  | M3x12 RS x 1
#BRASBH3012 |  | M3 Nut - Nyloc x 2
#BRASNUTM3 |



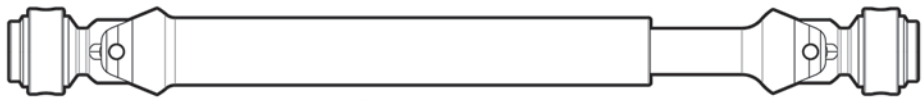
B LINKS / SHOCKS

-  M3x20 RS x 2
#BRASBH3020
-  M3x16 RS x 2
#BRASBH3016
-  M3x14 RS x 2
#BRASBH3014
-  D3x6x5
Tapper Spacer x 2
#BRLC7040
-  D3x6x3
Tapper Spacer x 2
#BRLC7041




10 - DRIVE SHAFTS

Parts Needed:

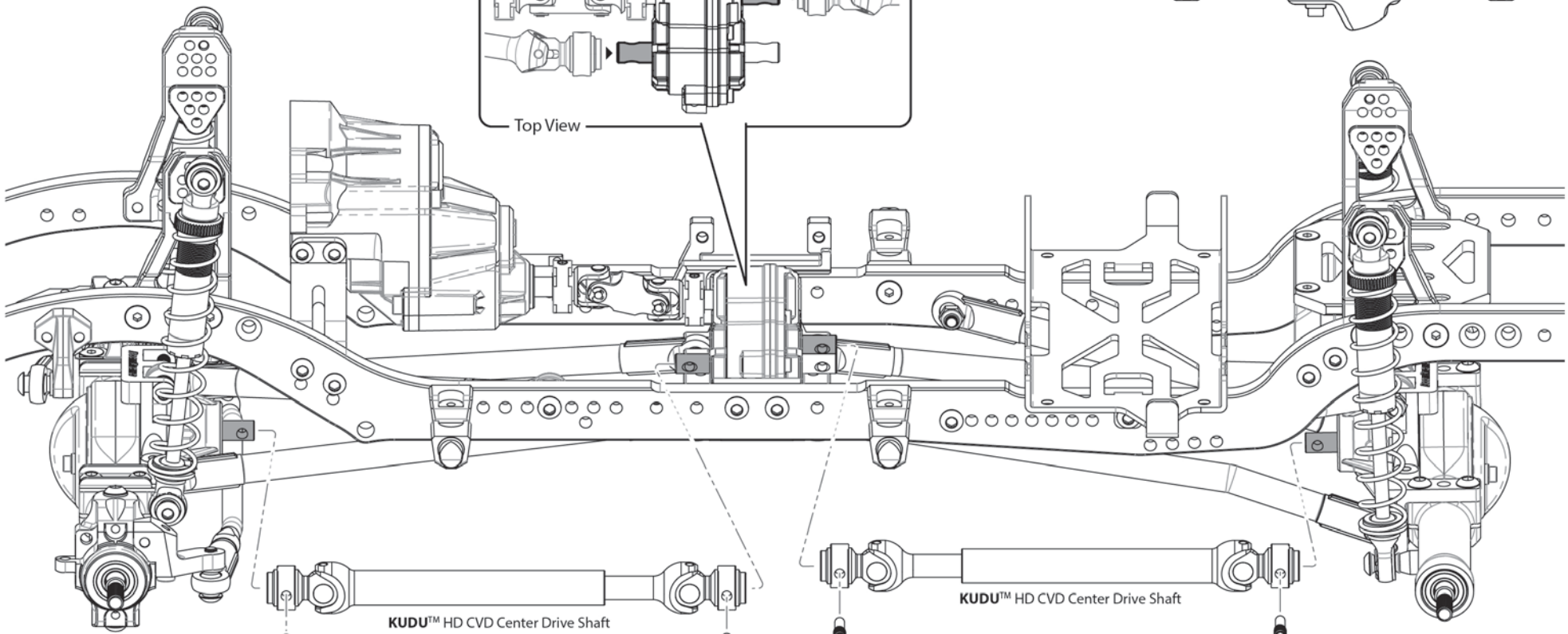
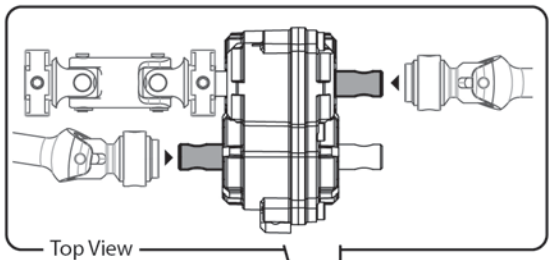
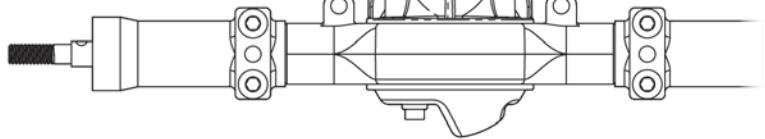
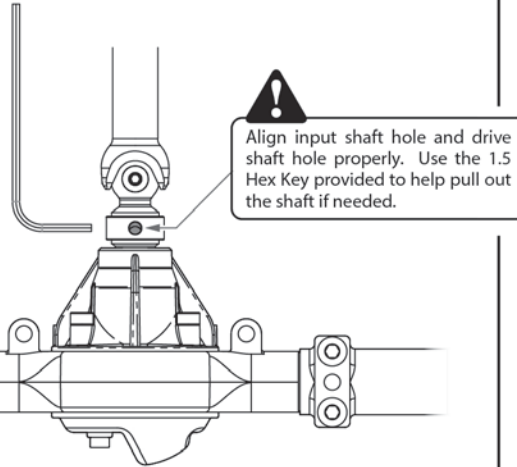


KUDU™ HD CVD Center Drive Shaft x 2
#BRX020043

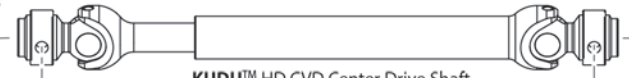
D GEARBOX / TRANSFER CASE



M3/2.2x11 SS x 4
#BRASST3022/DS



KUDU™ HD CVD Center Drive Shaft



KUDU™ HD CVD Center Drive Shaft

M3/2.2x11 Set Screw x 2

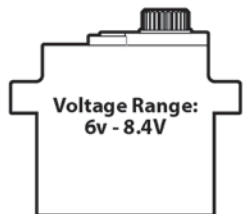
M3/2.2x11 Set Screw x 2

DRIVE SHAFTS

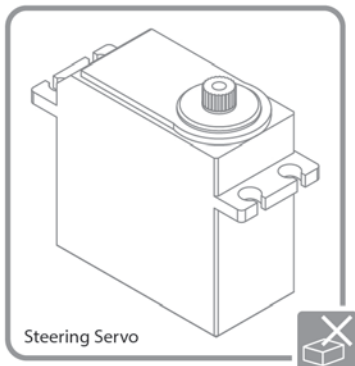
DRIVE SHAFTS

11 - SERVOS

Parts Needed:



JX Waterproof HV Mini Servo
#JX/PDI-HV1151MG

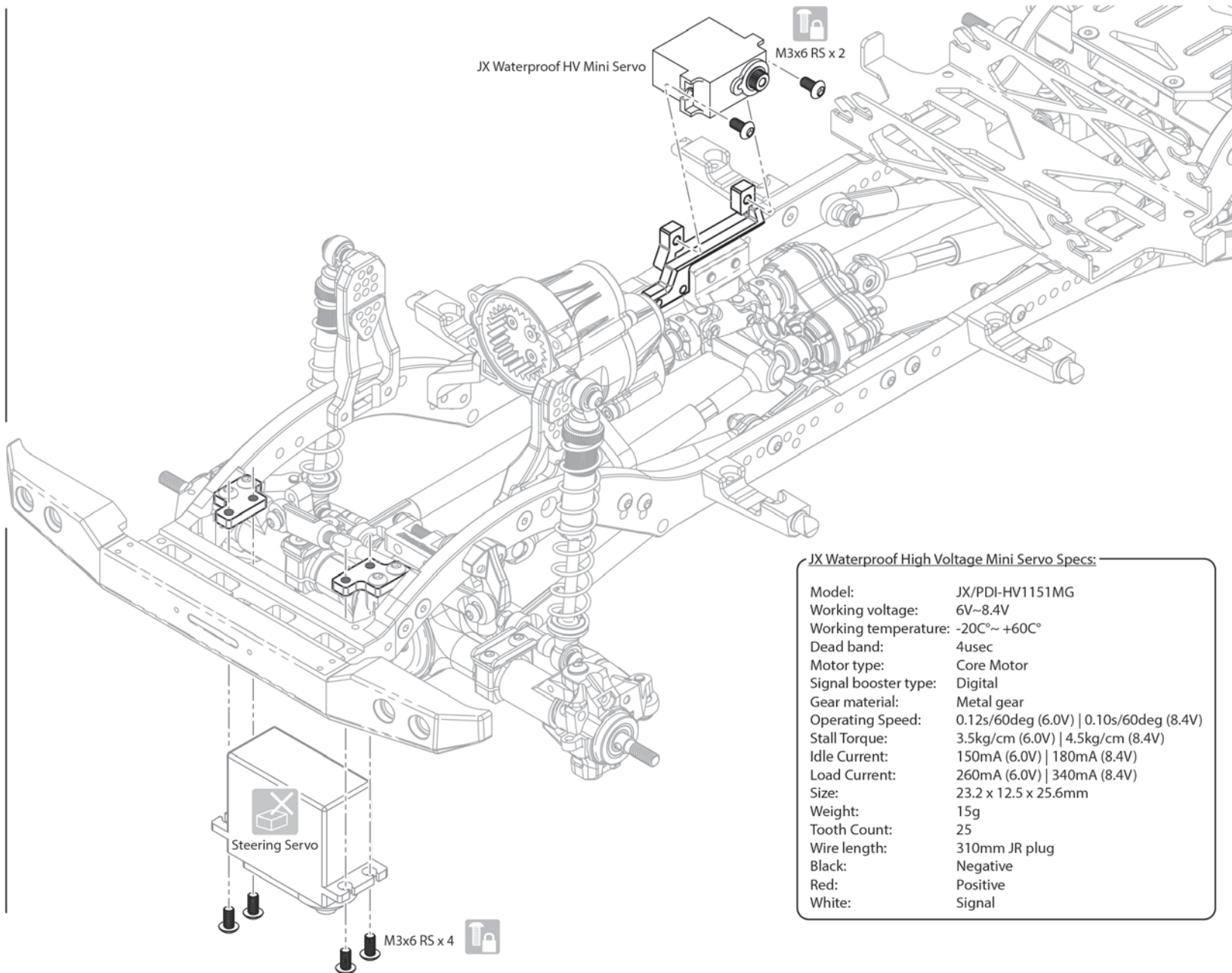


Steering Servo

G SERVOS



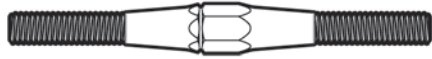
M3x6 RS x 6
#BRASBH3006



JX Waterproof High Voltage Mini Servo Specs:

Model:	JX/PDI-HV1151MG
Working voltage:	6V~8.4V
Working temperature:	-20C°~ +60C°
Dead band:	4usec
Motor type:	Core Motor
Signal booster type:	Digital
Gear material:	Metal gear
Operating Speed:	0.12s/60deg (6.0V) 0.10s/60deg (8.4V)
Stall Torque:	3.5kg/cm (6.0V) 4.5kg/cm (8.4V)
Idle Current:	150mA (6.0V) 180mA (8.4V)
Load Current:	260mA (6.0V) 340mA (8.4V)
Size:	23.2 x 12.5 x 25.6mm
Weight:	15g
Tooth Count:	25
Wire length:	310mm JR plug
Black:	Negative
Red:	Positive
White:	Signal

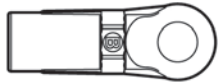
Parts Needed:



Fine Tunable Link - 55mm x 1
#BRLC7050



Servo Horn B - 25T x 1
#BR955014BK



KUDU™
Nylon Rod End
(Straight 21.8mm) x 1
#BRW750309B



KUDU™
Nylon Rod End
(Upwards 23.7mm) x 1
#BRW750310E



BADASS™
Stainless Steel Pivot Ball x 2
#BRW750300

B LINKS / SHOCKS



M3x12 RS x 1
#BRASBH3012



M3x10 RS x 1
#BRASBH3010

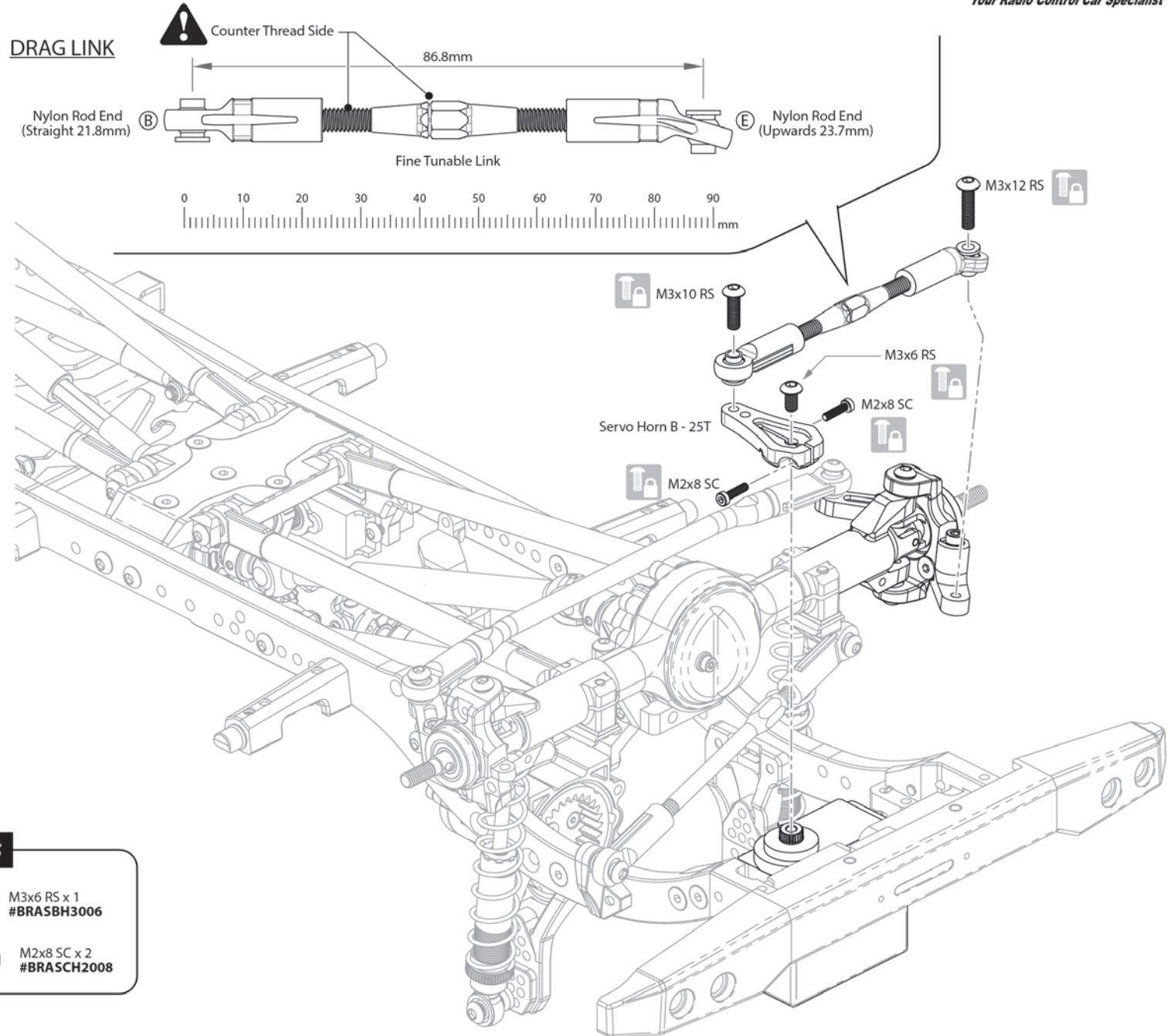
G SERVOS



M3x6 RS x 1
#BRASBH3006



M2x8 SC x 2
#BRASCH2008



SERVO

SERVO

12 - SHIFT ROD

Parts Needed:

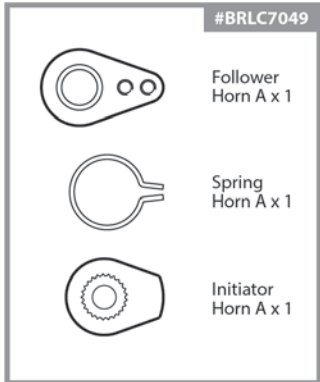


D2 Ball & Rod End x1
#BRQ90351



Shift Rod x1
#BRX020051

G SERVOS



#BRLC7049

Follower
Horn A x 1

Spring
Horn A x 1

Initiator
Horn A x 1

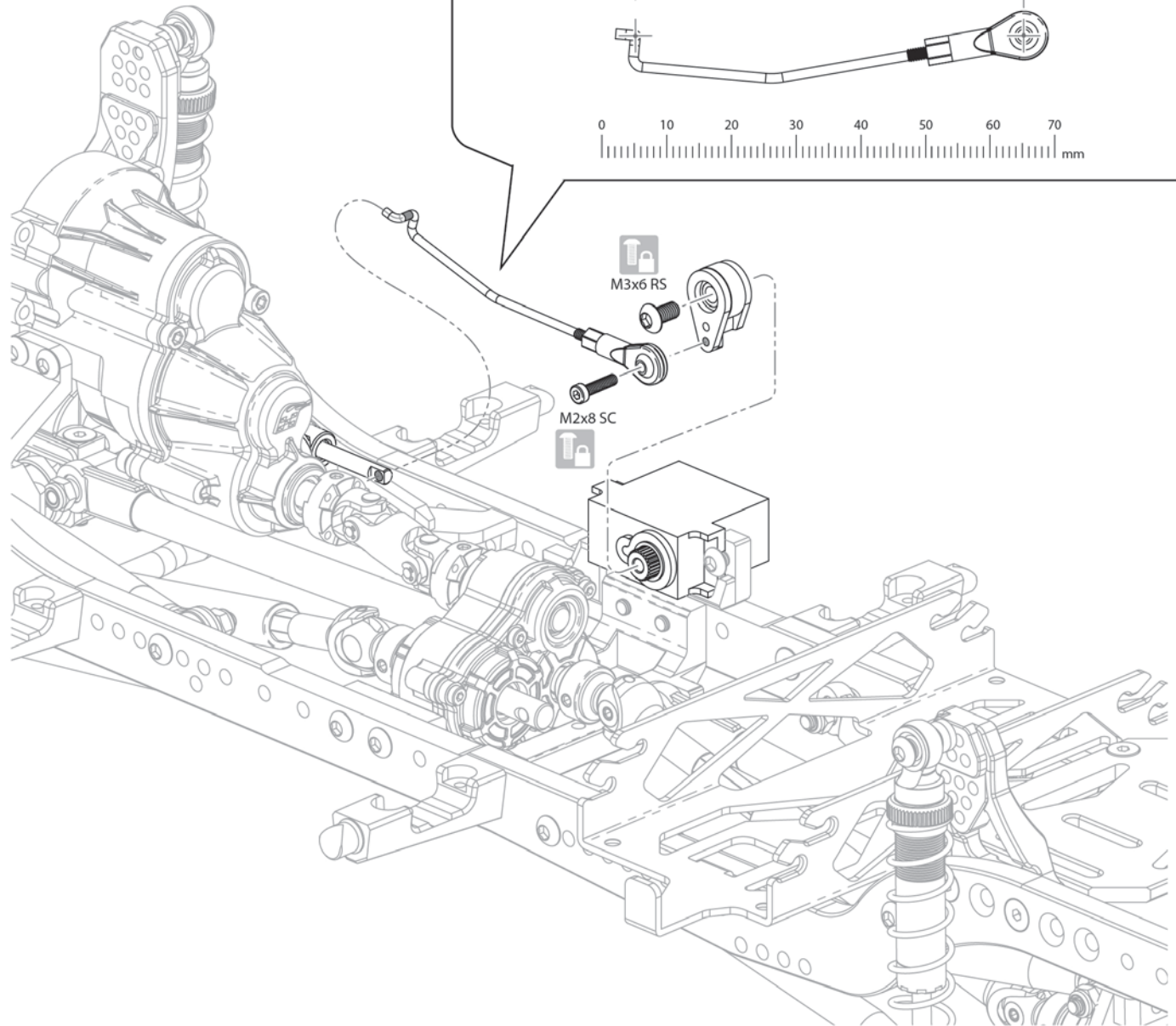
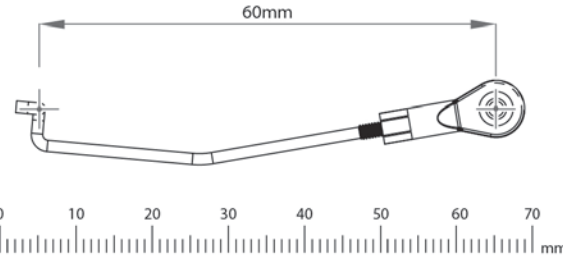


M3x6 RS x 1
#BRASBH3006



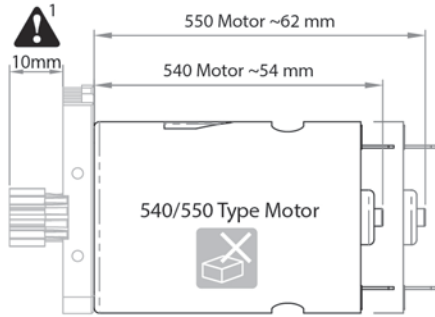
M2x8 SC x 1
#BRASCH2008

SHIFT ROD

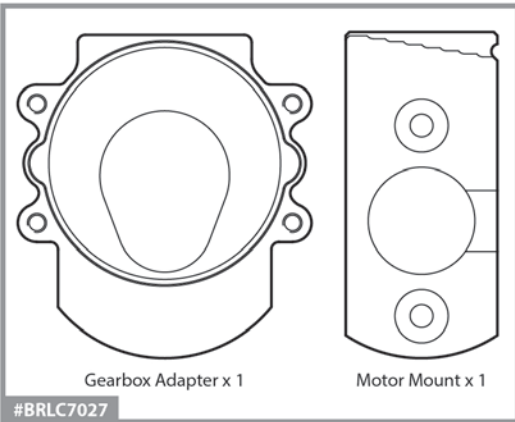


13 - MOTOR

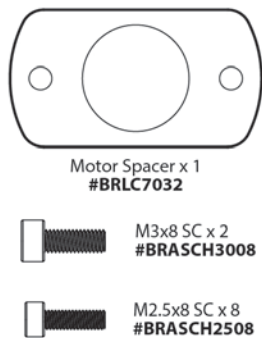
Parts Needed:



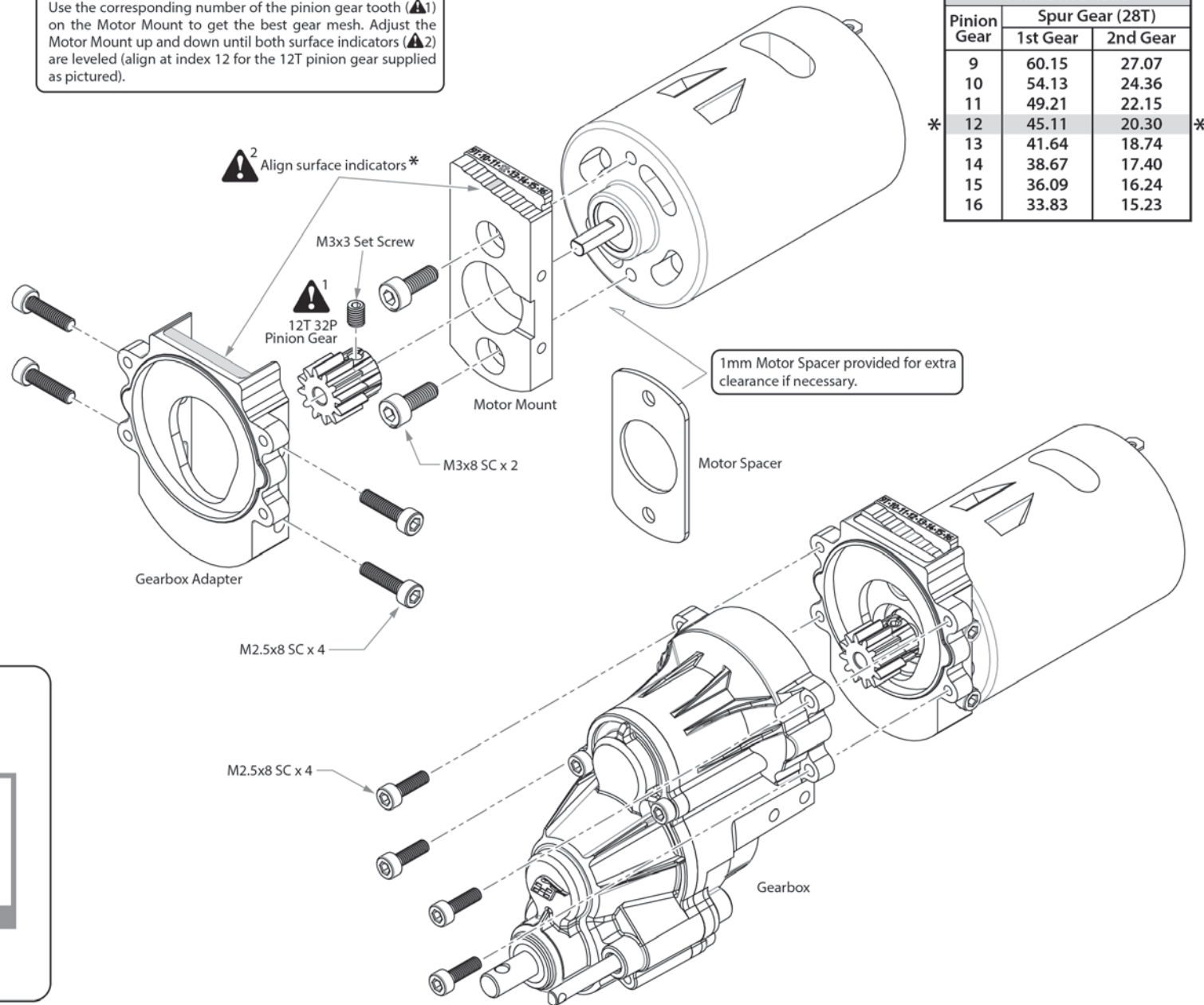
540/550 type motors can be used on BRX02.



D GEARBOX / TRANSFER CASE



2
Use the corresponding number of the pinion gear tooth (▲1) on the Motor Mount to get the best gear mesh. Adjust the Motor Mount up and down until both surface indicators (▲2) are leveled (align at index 12 for the 12T pinion gear supplied as pictured).



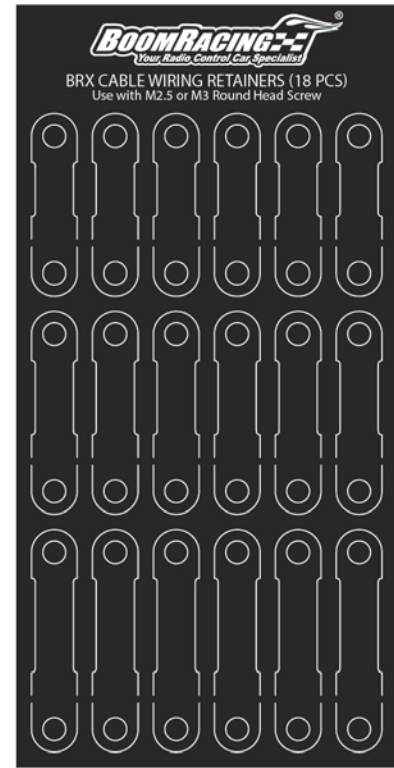
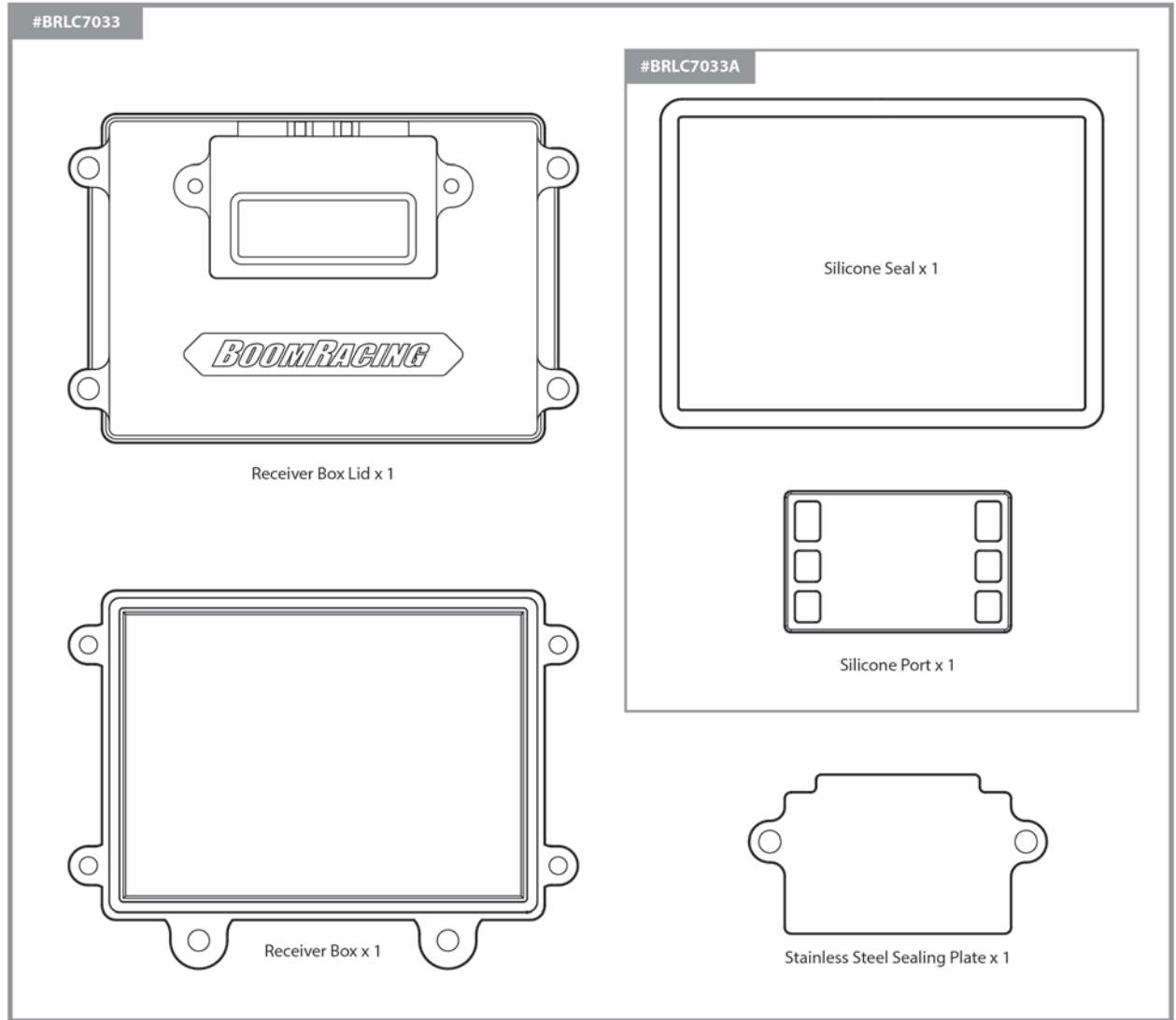
Pinion Gear	Final Drive Ratio	
	Spur Gear (28T)	
	1st Gear	2nd Gear
9	60.15	27.07
10	54.13	24.36
11	49.21	22.15
* 12	45.11	20.30
13	41.64	18.74
14	38.67	17.40
15	36.09	16.24
16	33.83	15.23

MOTOR

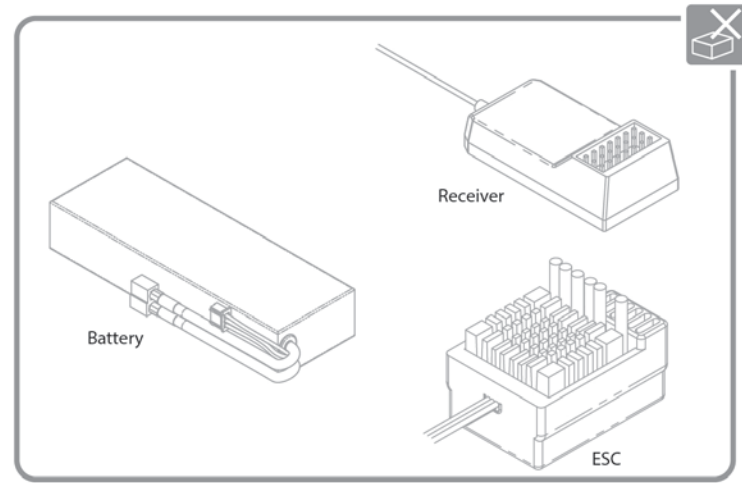
MOTOR

14 - RECEIVER BOX & ELECTRONICS INSTALLATION

Parts Needed:



Cable Wiring Retainers
#BRT10037

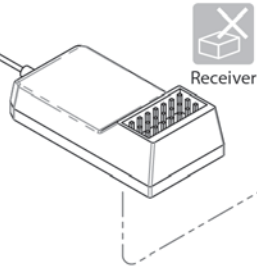


RECEIVER BOX & ELECTRONICS

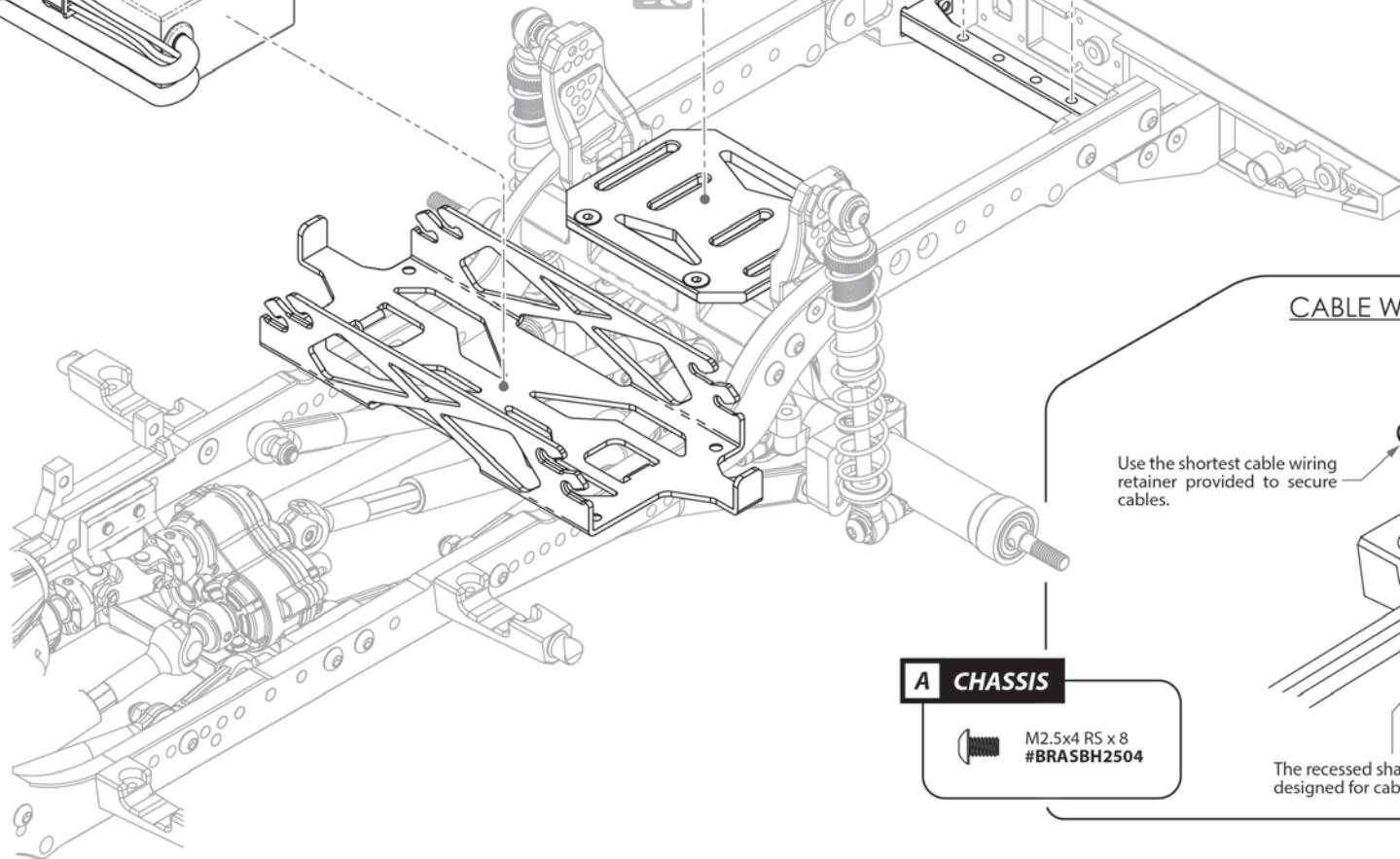
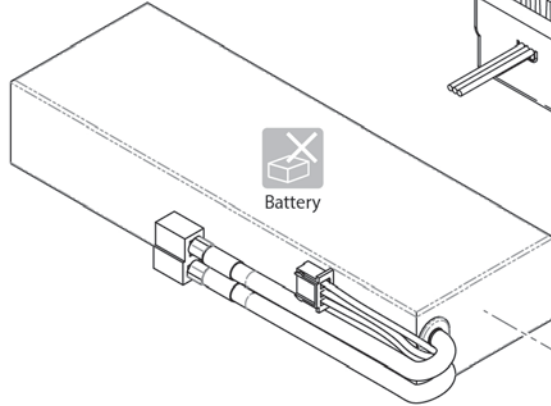
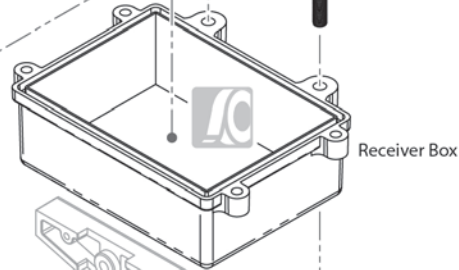
RECEIVER BOX & ELECTRONICS

E RECEIVER BOX

M3x10 RS x 2
#BRASBH3010



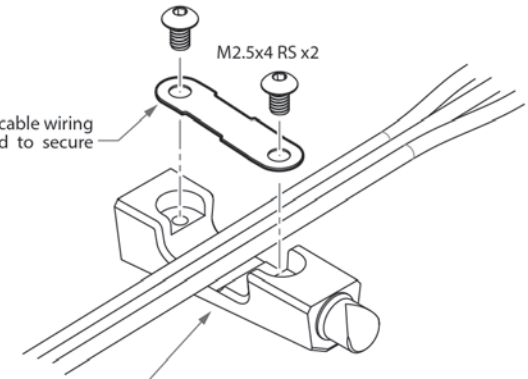
M3x10 RS x 2



CABLE WIRING RETAINER

M2.5x4 RS x 2

Use the shortest cable wiring retainer provided to secure cables.



The recessed shape on body post is designed for cable routing.

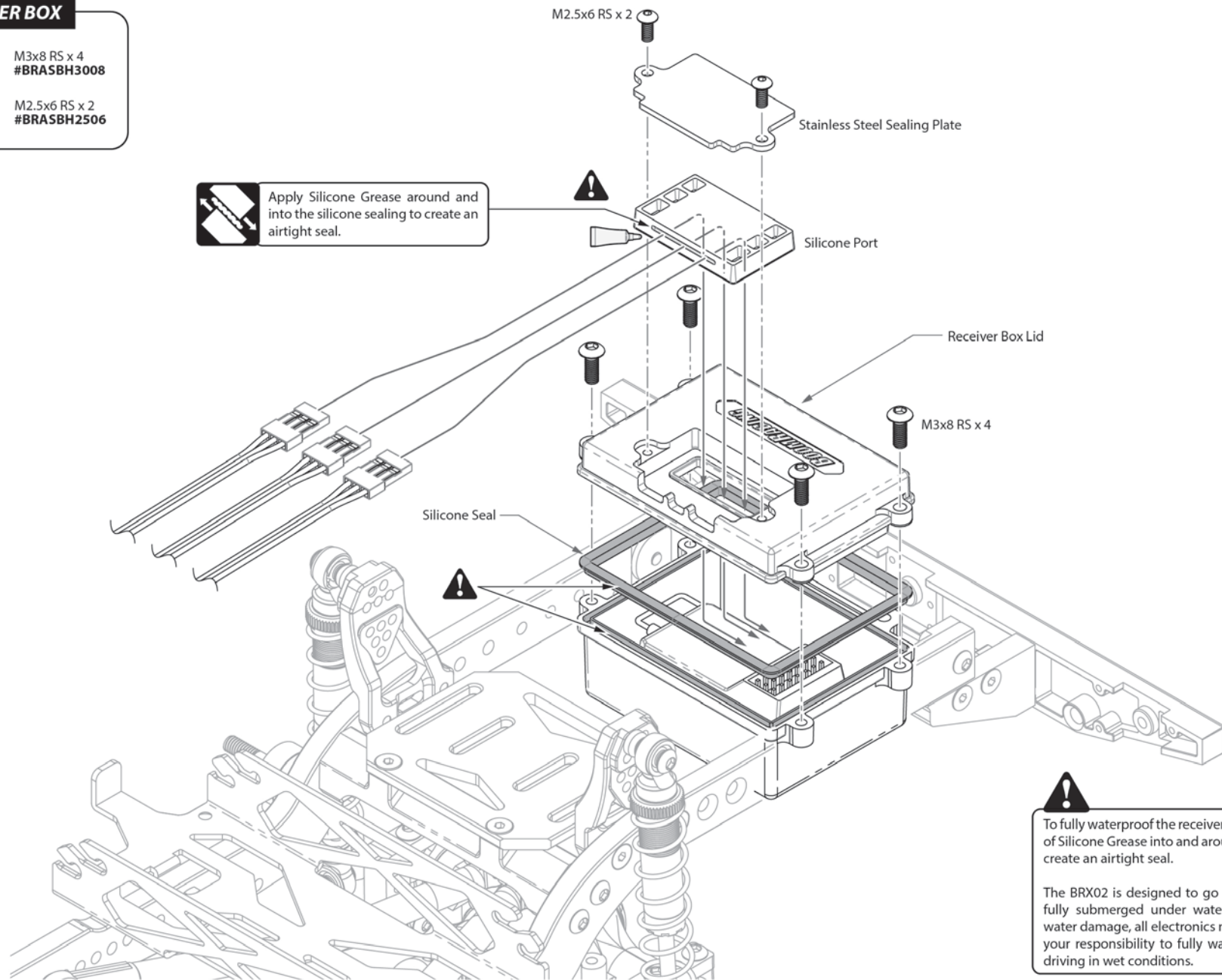
A CHASSIS


M2.5x4 RS x 8
#BRASBH2504


E RECEIVER BOX

 M3x8 RS x 4
#BRASBH3008

 M2.5x6 RS x 2
#BRASBH2506



 Apply Silicone Grease around and into the silicone sealing to create an airtight seal.

 To fully waterproof the receiver box, apply a generous amount of Silicone Grease into and around the two silicone sealings to create an airtight seal.

The BRX02 is designed to go anywhere. This includes being fully submerged under water. To protect electronics from water damage, all electronics must be fully waterproofed. It is your responsibility to fully waterproof all electronics before driving in wet conditions.

15 - WHEELS & TIRES

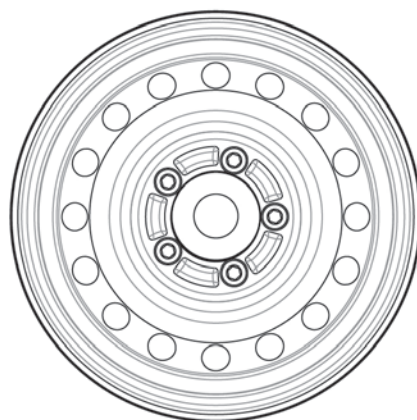
Parts Needed:



1.9" MAXGRAPPLER™ Scale RC Tire
GEKKO Black
3.82"x1.26" (97x32mm) x 4
#BRTR19397



1.9 Single Stage Open Cell Foam Insert
4.21"x1.38" (107x35mm)
for 1.9" MAXGRAPPLER™ 3.82"x1.26" Tire x 4
#BRTR39398



1.9" 16-Hole Classic Steelie Reversible Beadlock Wheel (Gun Metal) x 4
#BRW780919
with XT504 (#BRXT504V2) Wheel Hub



5100 Scale Center Wheel Hub Cap x 4
#BRW780923

C WHEELS



5mm Wheel Hex x 4
#BR113008BK



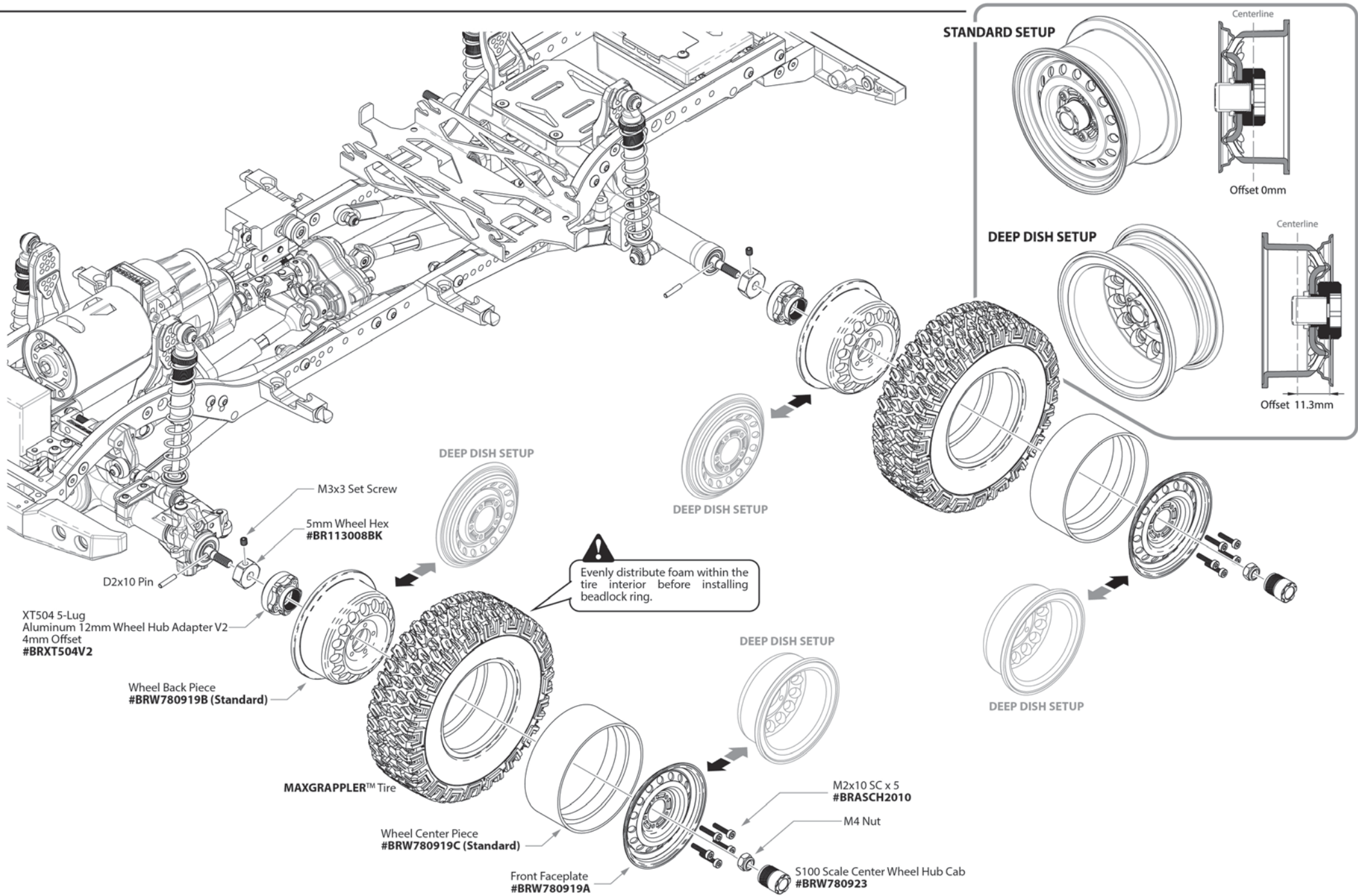
M4 Nut - Nyloc x 4
#BRASNUTM4



M3x3 SS x 4
#BRASST3003

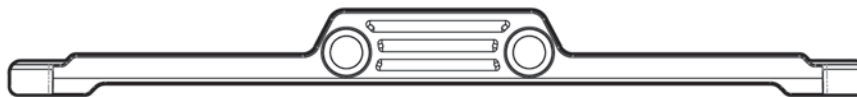
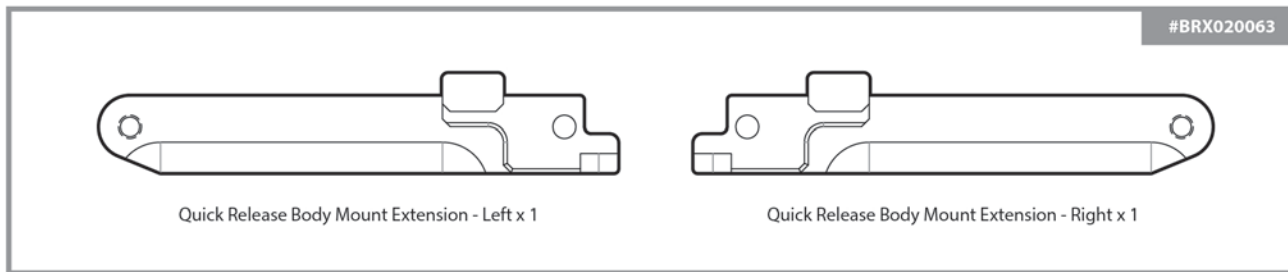
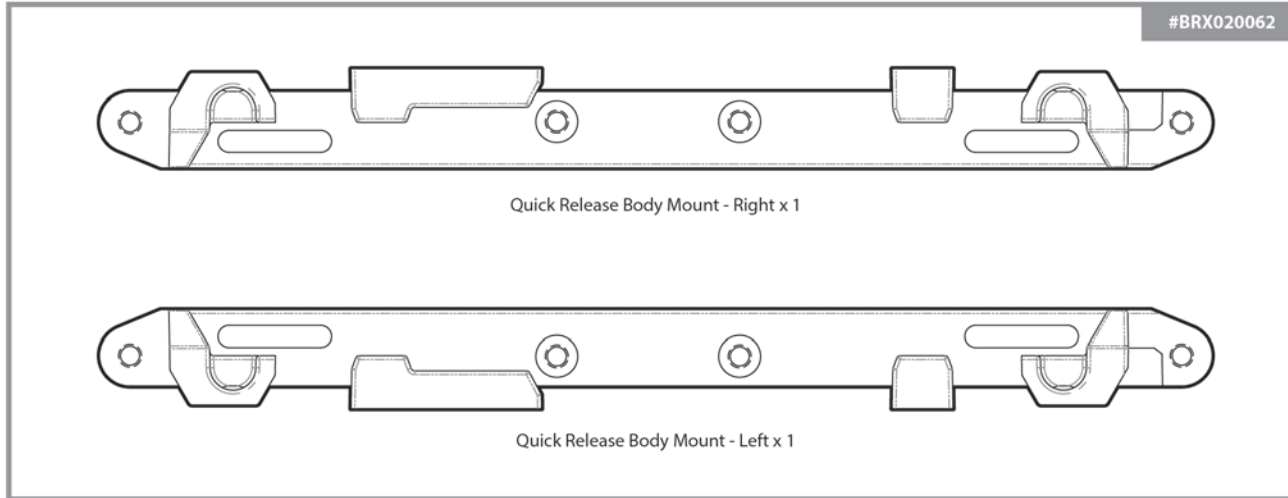


2x10mm Pin x 4
#BRASPIN210









16 - BODY MOUNT

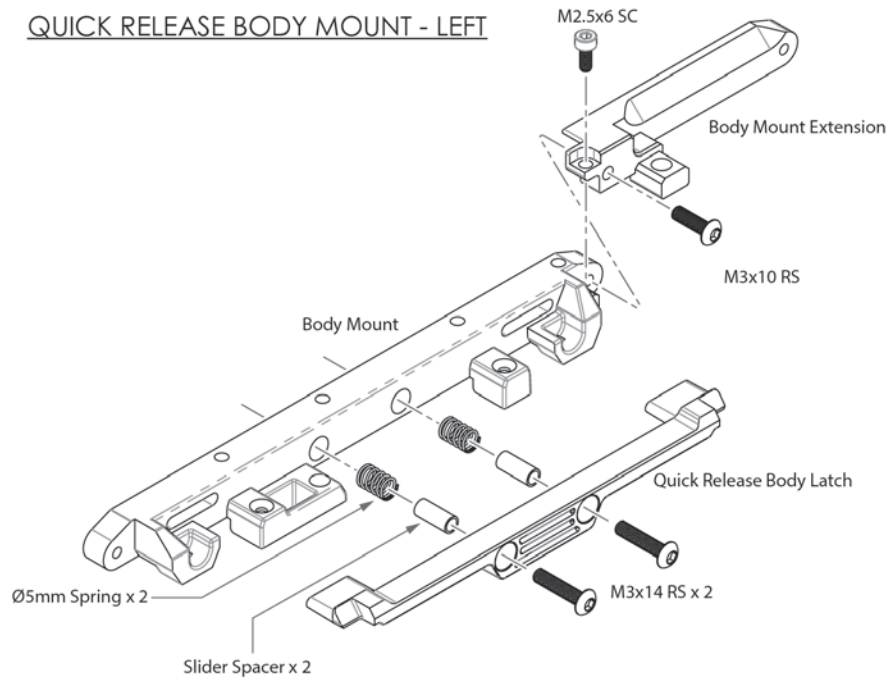
Parts Needed:



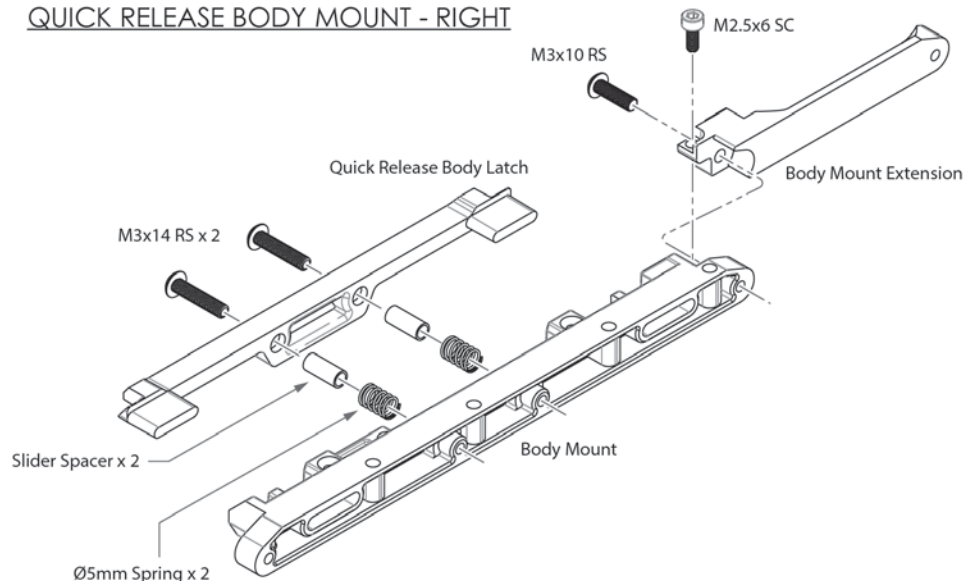
F BODY MOUNTS

-  M3x14 RS x 4
#BRASBH3014
-  M3x10 RS x 2
#BRASBH3010
-  M3x8 RS x 4
#BRASBH3008
-  M2.5x6 SC x 2
#BRASCH2506
-  Ø5mm Spring x 4
#BRASSPRING05510
-  Slider Spacer x 4
#BRX020035

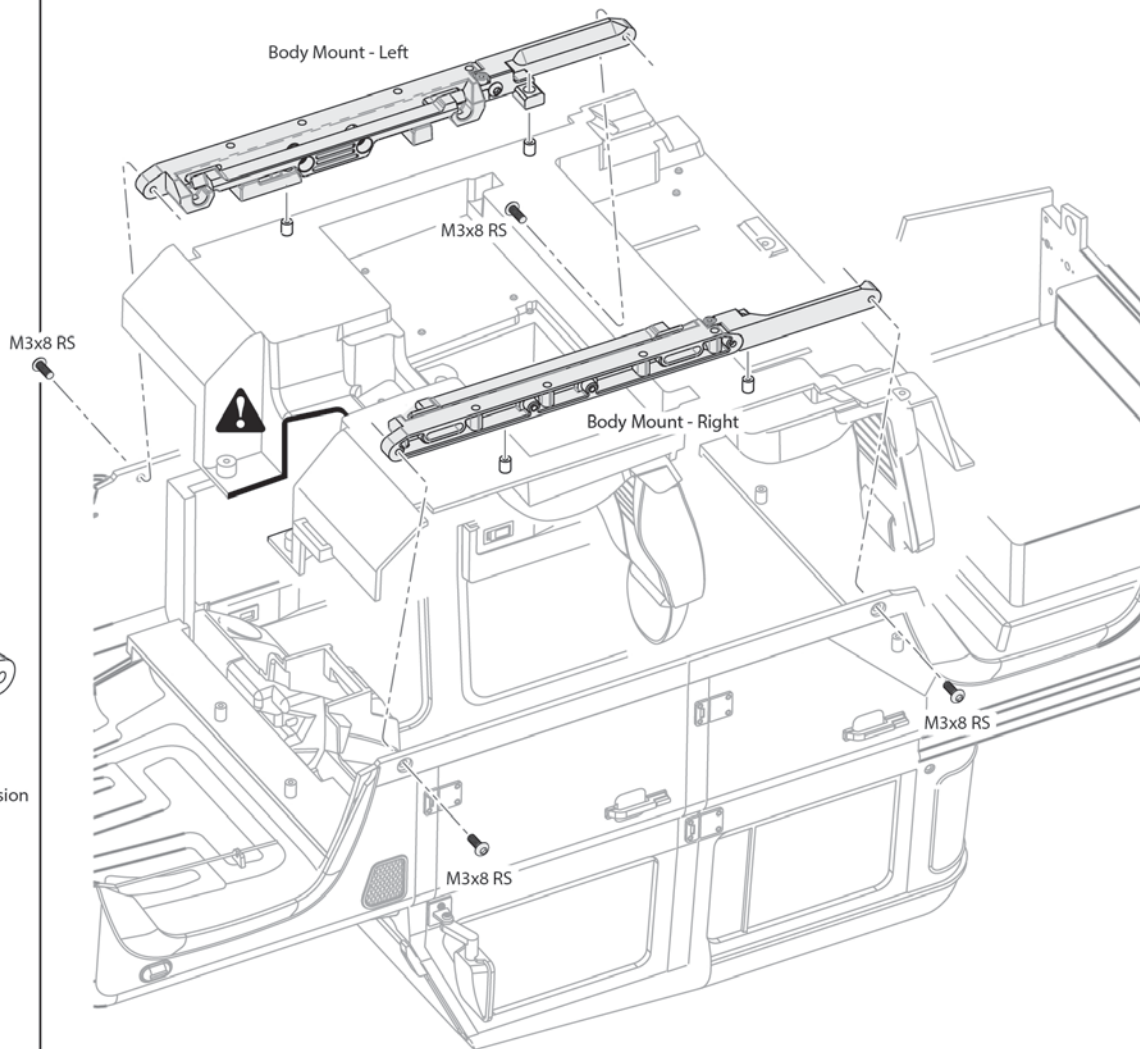
QUICK RELEASE BODY MOUNT - LEFT



QUICK RELEASE BODY MOUNT - RIGHT



 Refer to page 55 for interior opening.

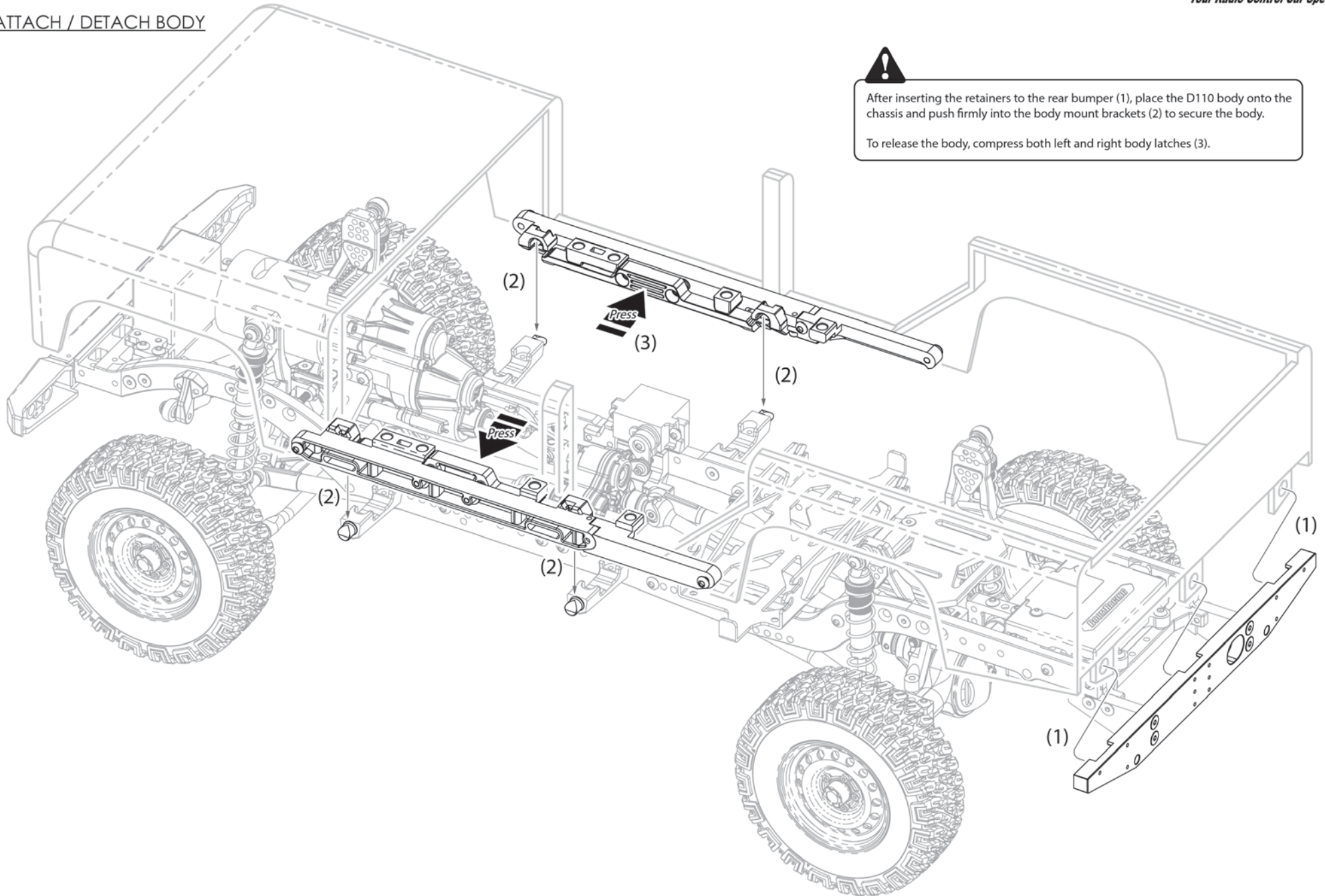


ATTACH / DETACH BODY



After inserting the retainers to the rear bumper (1), place the D110 body onto the chassis and push firmly into the body mount brackets (2) to secure the body.

To release the body, compress both left and right body latches (3).

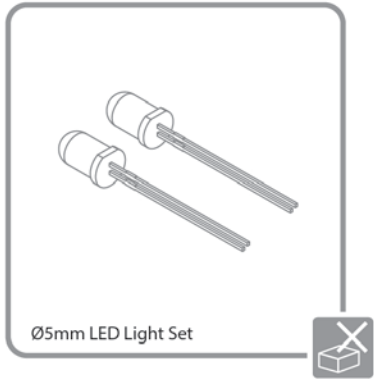


BODY MOUNT

BODY MOUNT

17 - OPTIONAL LED INSTALLATION

Parts Needed:



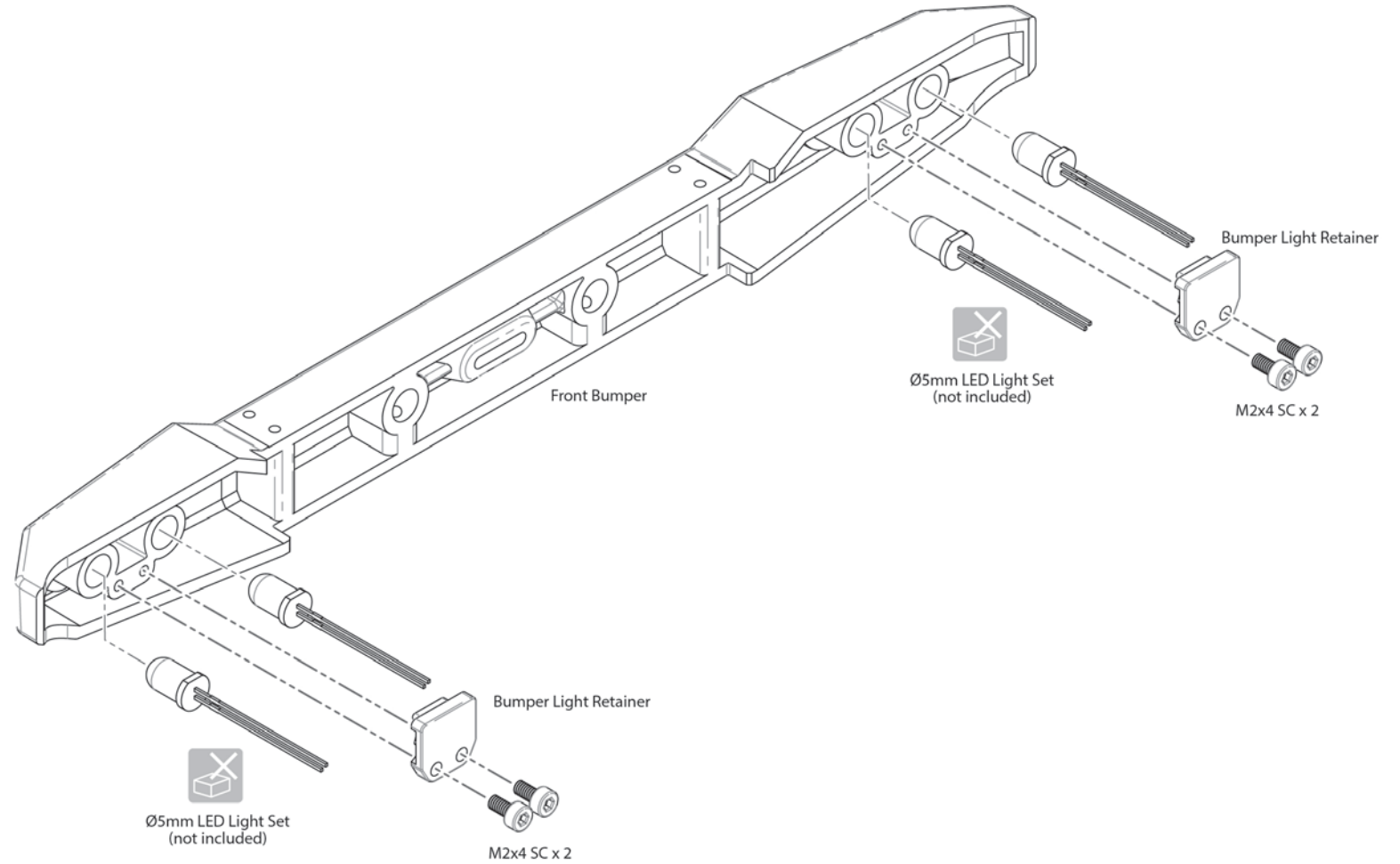
A CHASSIS



Bumper Light Retainer x 2
#BRX020032

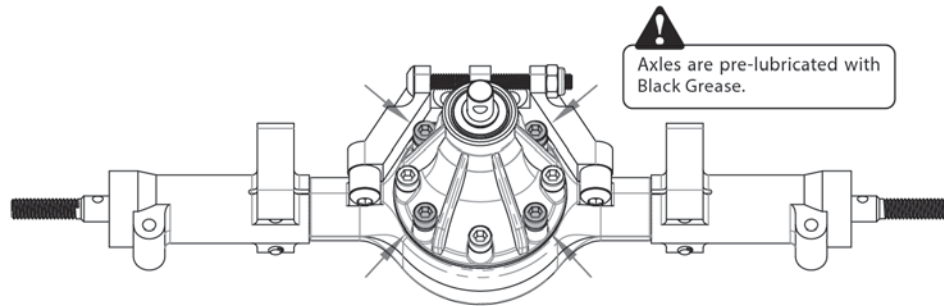


M2x4 SC x 4
#BRASFCH2004



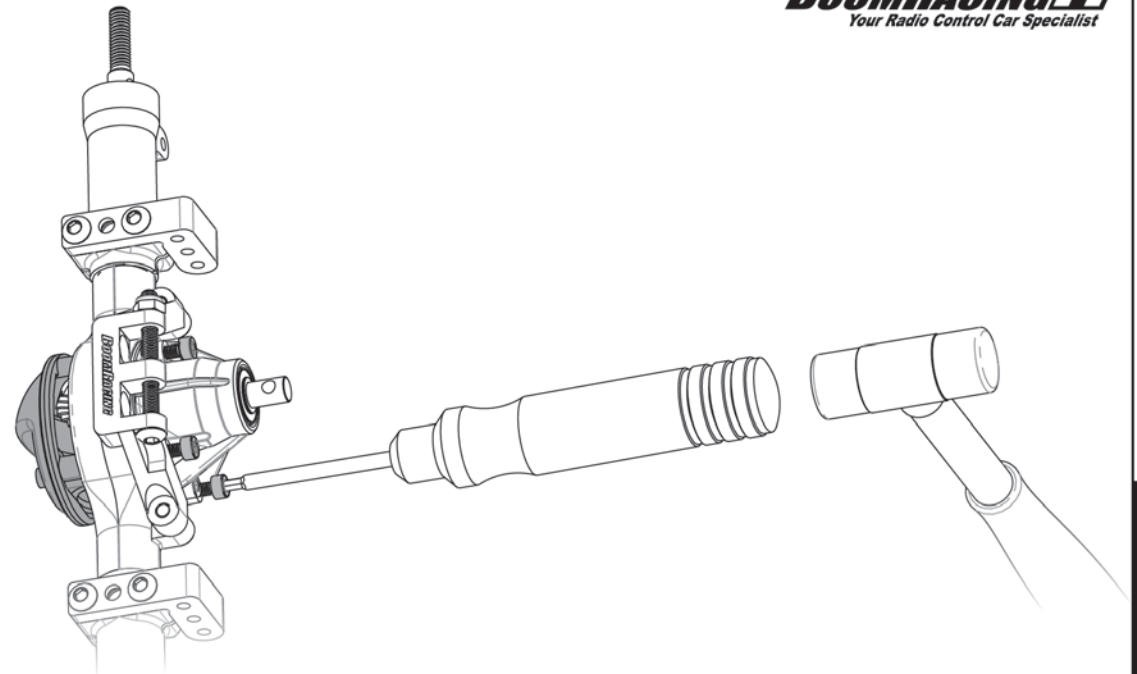
PRE-ASSEMBLED AXLE

Front Diff Cover Release Method In Case Assembly Is Tight.

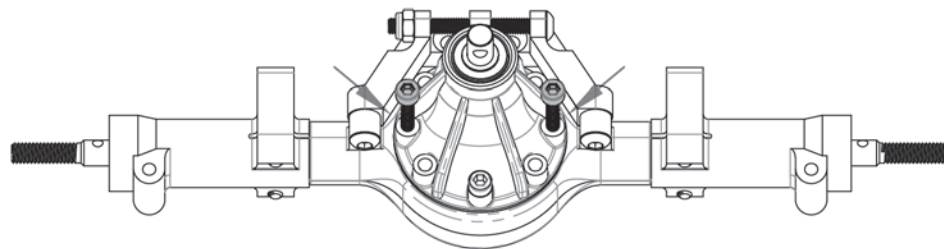


Step 1 - Loosen four M2.5x16mm socket screws indicated making the screw cap 3 mm apart from the case.

Step 2 - Hammer those screw slightly via screwdriver to release the front diff cover.



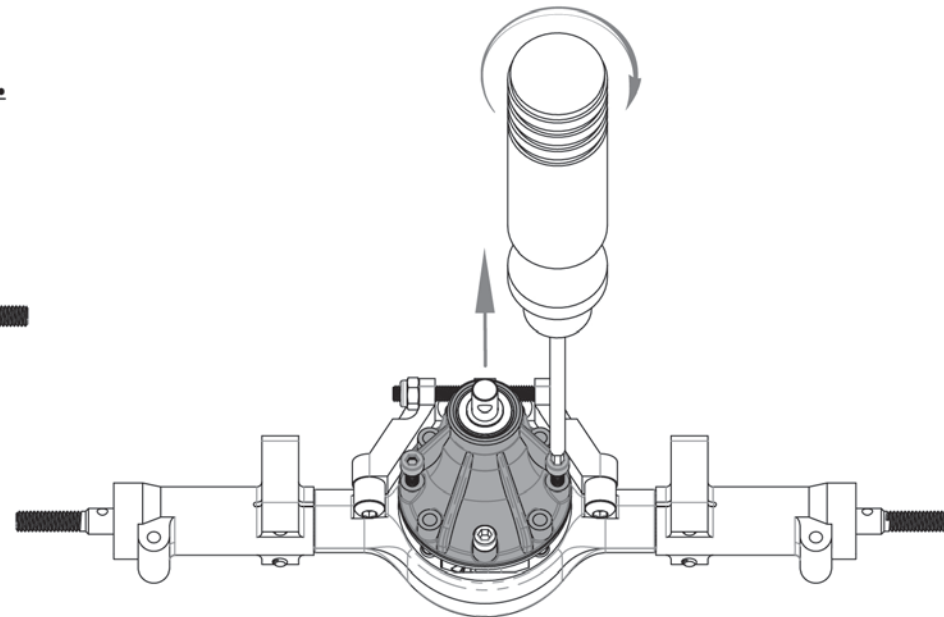
The Third Member Release Method When Assembly Is Tight.



Step 1 - Remove all M2.5x16mm and two M2.5x5mm socket screws

Step 2 - Install two M2.5x16mm socket screws into both left and right screw holes as indicated

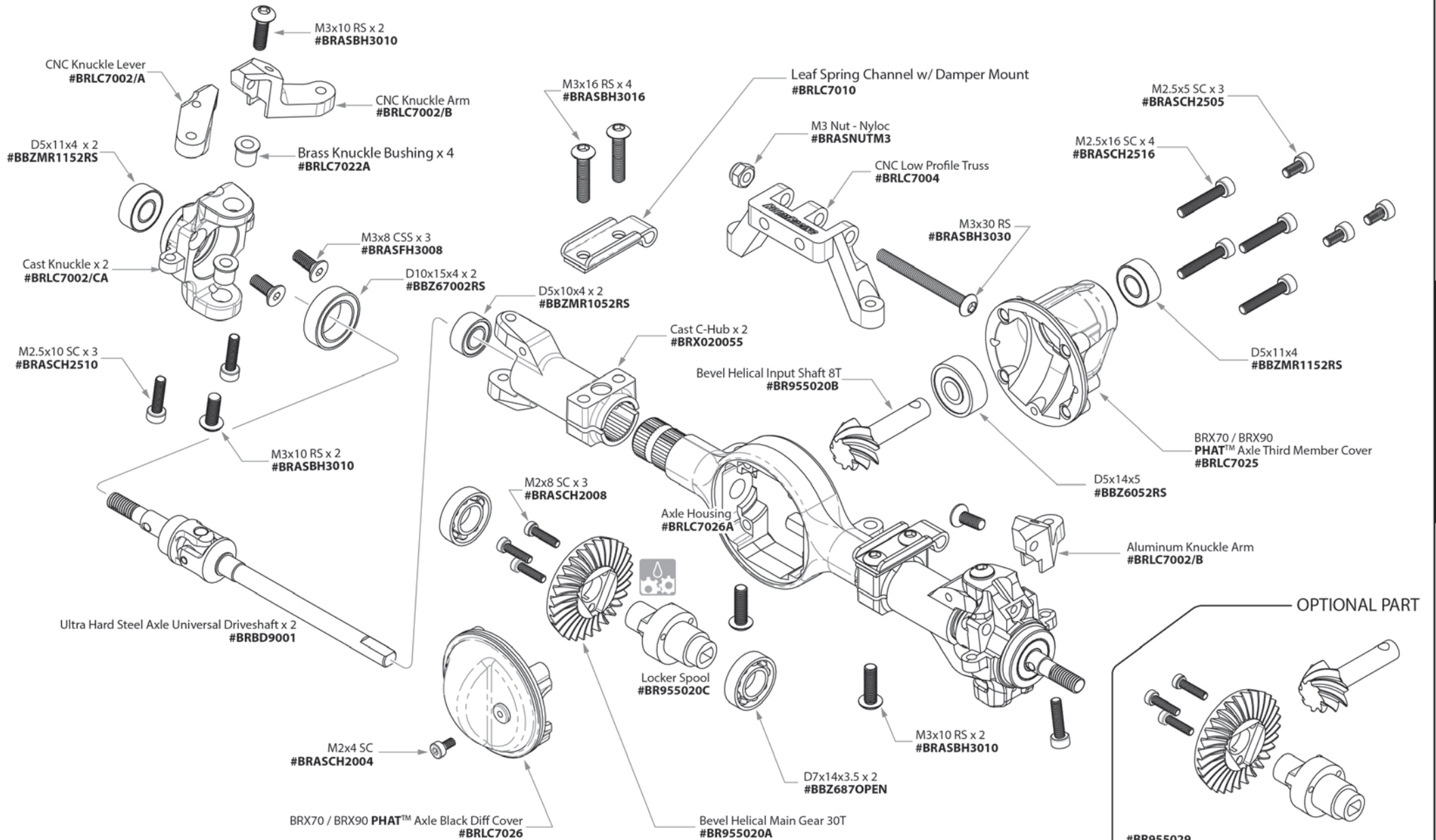
Step 3 - Lightly torque the screws until the third member is released



PRE-ASSEMBLED FRONT AXLE



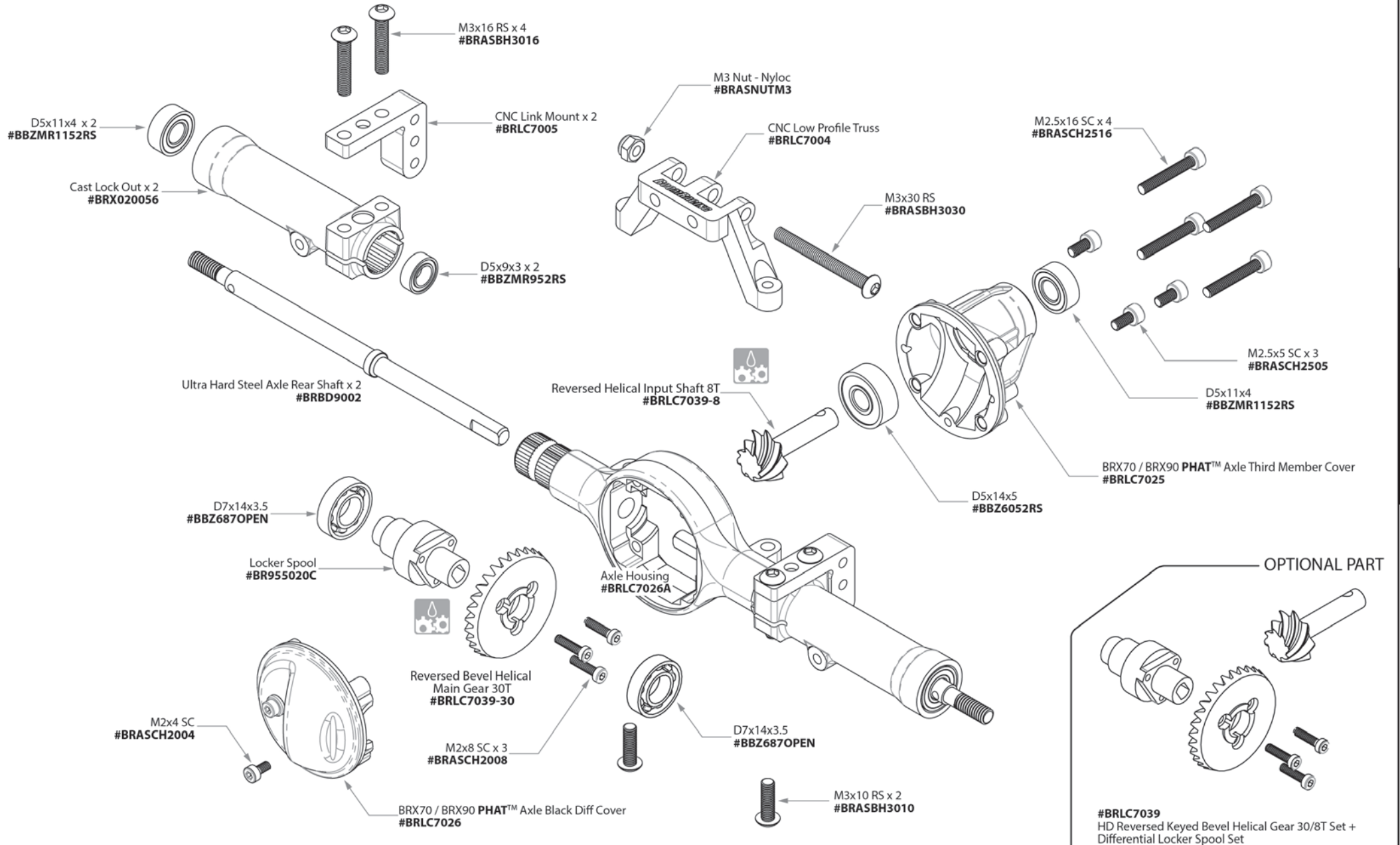
Apply a generous amount of Black Grease on all movable contact surfaces including gears, spacers, shafts and bearings.



PRE-ASSEMBLED REAR AXLE



Apply a generous amount of Black Grease on all movable contact surfaces including gears, spacers, shafts and bearings.



PRE-ASSEMBLED PARTS

PRE-ASSEMBLED PARTS

PARTS LIST

Part #	Description	Part #	Description
BBZ6052RS	5x14x5mm High Performance Rubber Sealed Bearing (1)	BRASSPD5801	Spacer D5x8x0.1 (10)
BBZ67002RS	10x15x4mm High Performance Rubber Sealed Bearing (1)	BRASSPD5805	Spacer D5x8x0.5 (10)
BBZ687OPEN	7x14x3.5mm High Performance Open Ball Bearing (1)	BRASSPD5730	Spacer D5x7x3 (5)
BBZMR1052RS	5x10x4mm High Performance Rubber Sealed Bearing (1)	BRASSPRING05510	Ø5mm Spring (4)
BBZMR1152RS	5x11x4mm High Performance Rubber Sealed Bearing (1)	BRASST3003	M3x3 Set Screw (10)
BBZMR1172RS	7x11x3mm High Performance Rubber Sealed Bearing (1)	BRASST3006	M3x6 Set Screw (10)
BBZMR952RS	5x9x3mm High Performance Rubber Sealed Bearing (1)	BRASST3022/DS	M3/2.2x11 Set Screw (10)
BR113008BK	12mm Standard Aluminum Wheel Hex Adaptors w/ Lock Screws Pins & Screws (4) Black	BRASST3024/DS	M3/2.4x11 Set Screw (10)
BR955014BK	Servo Horn	BRASST4016	M4x16 Set Screw (10)
BR955020	Heavy Duty Keyed Bevel Helical Gear 30/8T + Differential Locker Spool Set	BRBD9001	Ultra Hard Steel Axle Universal Driveshaft (2)
BR955020A	Heavy Duty Bevel Helical Main Gear 30T	BRBD9002	Ultra Hard Steel Axle Rear Shaft (2)
BR955020B	Heavy Duty Bevel Helical Input Shaft 8T	BRD9022A	Stainless Steel Tie Rod
BR955020C	Diff Locker Spool for HD Helical Bevel Gear	BRGRS01	BADASS™ Siliking Grease 5g
BR955029	Heavy Duty Keyed Bevel Helical Overdrive Gear 27/8T + Differential Locker Set	BRGRS08	BADASS™ Black Graphite Grease 5g
BRASBH2504	M2.5x4 RS Round Head Screw (10)	BRGRS09-5GB	BADASS™ Shock Slime Grease 5g
BRASBH2506	M2.5x6 RS Round Head Screw (10)	BRGRS10274-10	BADASS™ Silicone Grease 10g
BRASBH3006	M3x6 RS Round Head Screw (10)	BRGRS10274-20	BADASS™ Silicone Grease 20g
BRASBH3008	M3x8 RS Round Head Screw (10)	BRGRS1055-10	BADASS™ Black Graphite Grease 10g
BRASBH3010	M3x10 RS Round Head Screw (10)	BRGRS1055-20	BADASS™ Black Graphite Grease 20g
BRASBH3012	M3x12 RS Round Head Screw (10)	BRGRS242	242 Blue Thread Lock 10g
BRASBH3014	M3x14 RS Round Head Screw (10)	BRLC7002/A	Aluminum Knuckle Lever (High Clearance) for BRX70 / BRX90 Knuckle (1)
BRASBH3016	M3x16 RS Round Head Screw (10)	BRLC7002/B	Aluminum Knuckle Arm (Low Profile) for BRX70 / BRX90 / AR44 Knuckle (2)
BRASBH3018	M3x18 RS Round Head Screw (10)	BRLC7004	Aluminum Low Profile Truss
BRASBH3020	M3x20 RS Round Head Screw (10)	BRLC7005	Aluminum Link Mount
BRASBH3030	M3x30 RS Round Head Screw (10)	BRLC7010	Steel Leaf Spring Channel w/ Shock Mount (2)
BRASCH2004	M2x4 SC Shocket Cap Screw (10)	BRLC7019	Side Gearbox Mount (Left & Right)
BRASCH2008	M2x8 SC Shocket Cap Screw (10)	BRLC7022A	Brass Bushing for BRX70 / BRX90 Axle Knuckle (4)
BRASCH2506	M2.5x6 SC Shocket Cap Screw (10)	BRLC7025	BRX70 / BRX90 PHAT™ Axle Third Member Cover
BRASCH2508	M2.5x8 SC Shocket Cap Screw (10)	BRLC7026	BRX70 / BRX90 PHAT™ Axle Black Diff Cover
BRASCH2510	M2.5x10 SC Shocket Cap Screw (10)	BRLC7026A	BRX70 / BRX90 PHAT™ Axle Housing
BRASCH3008	M3x8 SC Shocket Cap Screw (10)	BRLC7027	Aluminum Gearbox Adapter w/ Motor Mount
BRASEC30	E-Clip 3mm (10)	BRLC7029-12T	Heavy Duty 12T Spur Gear
BRASFH2005	M2x5 CSS Counter Sunk Screw (10)	BRLC7029-15T	Heavy Duty 15T Spur Gear
BRASFH2508	M2.5x8 CSS Counter Sunk Screw (10)	BRLC7029-20T	Heavy Duty 20T Spur Gear
BRASFH3006	M3x6 CSS Counter Sunk Screw (10)	BRLC7029-24T	Heavy Duty 24T Spur Gear
BRASFH3008	M3x8 CSS Counter Sunk Screw (10)	BRLC7029-32T	Heavy Duty 32T Spur Gear
BRASFH3010	M3x10 CSS Counter Sunk Screw (10)	BRLC7030	Spur Gear Mount
BRASFH3018	M3x18 CSS Counter Sunk Screw (10)	BRLC7031	Internal Spur Gear 28T
BRASHS3005	M3x5 Hex Cap Screw (2)	BRLC7032	Steel Motor Spacer
BRASNUTM3	Lock Nut M3 Nyloc (5)	BRLC7033	BRX Universal Receiver Box Set w/ Silicone Seals
BRASNUTM4	Lock Nut M4 Nyloc (5)	BRLC7033A	Silicone Seal & Port for BRX Receive Box
BRASPIN210	D2x10 Pin (10)	BRLC7039	30/8T Reverse HD Steel Triangular Keyed Bevel Helical Cut Diff Gear w/ Spool Set for BRX70 / BRX90 Axle
BRASSPD427/N	D4x7x2 Nylon Spacer (5)	BRLC7040	M3x6x5 Tapper Spacer (4)

PARTS LIST

Part #	Description	Part #	Description
BRLC7041	M3x6x3 Tapper Spacer (4)	BRX020055	Cast C-Hub (2)
BRLC7044	Ultra Hard Steel Gearbox Shaft Set (3pcs)	BRX020056	Cast Lock Out (2)
BRLC7044A	Ultra Hard Steel Gear Catcher	BRX020007	Steering Servo Mount (2)
BRLC7044B	Input shaft	BRX020009	Mini Servo Mount
BRLC7044C	Output Shaft	BRX020011	Chassis Rail (Left & Right)
BRLC7044E	2-Speed Gear Unit	BRX020012	Rear Crossmember
BRLC7045A	Brass Shifter Cap and Bushing	BRX020014	Mid Crossmember
BRLC7045B	Ultra Hard Steel Shifter	BRX020015F	Front Bumper
BRLC7045C	Stainless Steel Shift Rod	BRX020015R	Rear Bumper
BRLC7046	Heavy Duty Steel Cut Transfer Case Gears and Steel Shafts Set	BRX020016	Front Crossmember
BRLC7046-A	Input Shaft w/ 20T Spur Gear	BRX020017	Rear Gearbox Mount
BRLC7046-B	29T Spur Gear (2)	BRX020018F	Front shock Mount (Left & Right)
BRLC7046-C	Two Ends Output Shaft	BRX020018R	Rear Shock Mount (Left & Right)
BRLC7046-D	One End Output Shaft	BRX020019	Rear Bumper Mount (Left & Right)
BRLC7049	Mini Servo Horn	BRX020020LK	Center Link Mount
BRLC7050	Fine Tunable Link	BRX020020A	Center Stainless Steel Skid Plate
BRLC7060	2-Speed Gear Circle Clip (5)	BRX020021	Battery Tray
BRLC7095	Extension Cable (2)	BRX020022LK	BRX90 Complete Front PHAT ™ Axle LINK Ver.
BRPG3212-3	32P 12T / 3.175mm Steel Pinion Gear	BRX020023LK	BRX90 Complete Rear PHAT ™ Axle LINK Ver.
BRQ90351	D2 Ball & Rod End	BRX020024	Axle Panhard Mount
BRSH0090-SP	KUDU ™ 90mm Coilover Scale Shock Absorber w/ Medium Springs (2)	BRX020025	Chassis Panhard Mount
BRSH90Spring-H	65mm Hard (<i>Yellow</i>) Coil (2)	BRX020026	Panhard Bar
BRSH90Spring-M	65mm Medium (<i>Green</i>) Coil (2)	BRX020028	Steel Connection Drive Shaft (33mm)
BRSH90Spring-S	65mm Soft (<i>Blue</i>) Coil (2)	BRX020029	BCF2 ™ Gearbox Housing (A & B)
BRSH90Spring-SH	65mm Super Hard (<i>Red</i>) Coil (2)	BRX020029A	Gear Box Bearing Holder
BRSH90Spring-SS	65mm Super Soft (<i>White</i>) Coil (2)	BRX020032	Bumper Light Retainer (2)
BRSHJR	Pivot Ball Retainer (4)	BRX020034	Body Latch Pin (4)
BRSORD6-15	D6x1.5 O-Ring (10)	BRX020035	Slider Spacer (4)
BRT10037	Cable Wiring Retainer	BRX020037	Complete Aluminum Chassis Links M4 (7)
BRT10028	Tool Kit	BRX020039	Body Post (4)
BRT10053	Pivot Ball Tool	BRX020043	KUDU ™ HD CVD Center Drive Shaft (2)
BRTR19397	1.9" MAXGRAPPLER ™ Scale RC Tire GEKKO Black 3.82"x1.26" (97x32mm) w/ Single Stage Open Cell Foam (2)	BRX020047	SRD ™ Transfer Case Housing
BRTR39398	1.9" Single Stage Open Cell Foam Insert 4.21"x1.38" (107x35mm) for 1.9" MAXGRAPPLER ™ Scale RC Tire 3.82"x1.26" (97x32mm) (2)	BRX020051	Shift Rod
BRW750300	BADASS ™ Stainless Steel Pivot Ball (10)	BRX020061	Quick Release Body Latch (2)
BRW750306A	KUDU ™ HD Rust-Resistant Rod Ends M4 Nylon (Straight) 18.5mm w/ SST Pivot Ball (5.8x3x7.4mm) (10)	BRX020062	Quick Release Body Mount (Left & Right)
BRW750307D	KUDU ™ HD Rust-Resistant Rod Ends M4 Nylon (Upwards) 20.00mm w/ SST Pivot Ball (5.8x3x7.4mm) (10)	BRX020063	Quick Release Body Mount Extension (Left & Right)
BRW750309B	KUDU ™ HD Rust-Resistant Rod Ends M4 Nylon (Straight) 21.8mm w/ SST Pivot Ball (5.8x3x7.4mm) (10)	BRX020079	ESC Mounting Plate
BRW750310	Shock End Pivote Ball (4)	BRXT504V2	XT504 5-Lug Aluminum 12mm Wheel Hub Adapters 4MM Offse V2 (2)
BRW750310E	KUDU ™ HD Rust-Resistant Rod Ends M4 Nylon (Upwards) 23.7mm w/ SST Pivot Ball (5.8x3x7.4mm) (10)	JX/PDI-HV1151MG	JX Waterproof High Voltage Mini Servo
BRW780919GM	1.9" 16-Hole Classic Steelie Reversible Beadlock Wheel (Gun Metal) w/ XT504 Hub (2)		
BRW780923	S100 Scale Center Wheel Hub Cap (2)		

PARTS LIST (Optional Accessories)

Part #	Description	Bearing Set	
Overdrive Gears			
BR955029	Overdrive HD Steel Keyed Bevel Helical Gear 27/8T & Diff Locker Spool Set	BRX01BBZ	High Performance Full Ball Bearings Set Rubber Sealed (32 Total)
BR955029A	Overdrive HD Bevel Helical Main Gear 27T for BR955029	BRX01FABBZ	High Performance Ball Bearings Set Rubber Sealed For Front Axle (10 Total)
BR955029B	Overdrive HD Bevel Helical Input Shaft 8T for BR955029	BRX01GBBBZ	High Performance Ball Bearings Set Rubber Sealed For Gearbox (8 Total)
		BRX01RABBZ	High Performance Ball Bearings Set Rubber Sealed For Rear Axle (8 Total)
		BRX01TCBBZ	High Performance Ball Bearings Set Rubber Sealed For Transfer Case (6 Total)
Pinion Gear			
BRPG3209-3	32P 9T / 3.175mm Steel Pinion Gear (1)		
BRPG3210-3	32P 10T / 3.175mm Steel Pinion Gear (1)		
BRPG3211-3	32P 11T / 3.175mm Steel Pinion Gear (1)		
BRPG3213-3	32P 13T / 3.175mm Steel Pinion Gear (1)		
BRPG3214-3	32P 14T / 3.175mm Steel Pinion Gear (1)		
BRPG3215-3	32P 15T / 3.175mm Steel Pinion Gear (1)		
BRPG3216-3	32P 16T / 3.175mm Steel Pinion Gear (1)		
BRPG32COMBO1-3	32P Steel Pinion Gear Combo 9T-12T (4)		
BRPG32COMBO2-3	32P Steel Pinion Gear Combo 13T-16T (4)		
Shock Oil			
BRSHK010	BADASS™ Silicone Shock Oil 10wt 60ml		
BRSHK015	BADASS™ Silicone Shock Oil 15wt 60ml		
BRSHK020	BADASS™ Silicone Shock Oil 20wt 60ml		
BRSHK025	BADASS™ Silicone Shock Oil 25wt 60ml		
BRSHK030	BADASS™ Silicone Shock Oil 30wt 60ml		
BRSHK035	BADASS™ Silicone Shock Oil 35wt 60ml		
BRSHK040	BADASS™ Silicone Shock Oil 40wt 60ml		
BRSHK045	BADASS™ Silicone Shock Oil 45wt 60ml		
BRSHK050	BADASS™ Silicone Shock Oil 50wt 60ml		
BRSHK055	BADASS™ Silicone Shock Oil 55wt 60ml		
BRSHK060	BADASS™ Silicone Shock Oil 60wt 60ml		
BRSHK065	BADASS™ Silicone Shock Oil 65wt 60ml		
BRSHK070	BADASS™ Silicone Shock Oil 70wt 60ml		
BRSHK075	BADASS™ Silicone Shock Oil 75wt 60ml		
BRSHK080	BADASS™ Silicone Shock Oil 80wt 60ml		

If you have questions, call Boom Racing at:
1-209-676-8880 (USA) or email Boom Racing at sales@boomracingrc.com

WWW.BOOMRACINGRC.COM

BRX02

1.9" MILEAGE CLASSIC SCALE CRAWLER TIRE GEKKO COMPOUND
3.82"x1.0" (97x26mm)

#BRTR19006



1.9" TPD ALL-TERRAIN CRAWLER TIRE GEKKO COMPOUND
3.82"x1.3" (97x33mm)

#BRTR19008

ROCK MONSTER RED SILICONE TIRE INSERT
3.5"x0.84" (90x21mm)
FOR 1.9" MILEAGE CLASSIC / SP ROAD TRACKER

#BRRM19006



MUSCLE WINCH™
HIGH TORQUE 36KG
WATERPROOF SERVO WINCH
W/ FREE SPOOL UNIT
#BR-36SW



WINCH MOUNT & LEAD KIT
FOR MUSCLE WINCH™
#BRD90110036

DIG
#BRD90101-DG

OVERDRIVE
#BRLC70201-OD



TRANSFER CASE KITS

SWD (SELECTIVE RWD/4WD)
#BRD90301-SWD



OPTIONAL PARTS

MINI SERVO MOUNT KIT

#BRD90110064KIT
(with Mini Servo)

#BRD90110065
(without Mini Servo)





WATERPROOF ALUMINUM LED LIGHT BAR SET (3S CAPABLE)



#BRTL145 (145mm)

#BRTL90 (90mm)

#BRTL50 (50mm)

HEAVY DUTY KEYED BEVEL HELICAL OVERDRIVE GEAR + DIFFERENTIAL LOCKER SET FOR BRX70/BRX90/AR44/AR45 AXLES



24/8T
#BR955040

27/8T
#BR955029

BRASS FRONT KNUCKLE BASE WEIGHTS FOR BRX70/BRX90/AR44 PHAT AXLE



BRASS FRONT KNUCKLE BASE WEIGHTS
#BRLC7089

BRASS REAR KNUCKLE BASE WEIGHTS FOR BRX90 PHAT AXLE #BRD9024



BRASS SMALL WEIGHT BLOCKS 4G
#BRLC7092



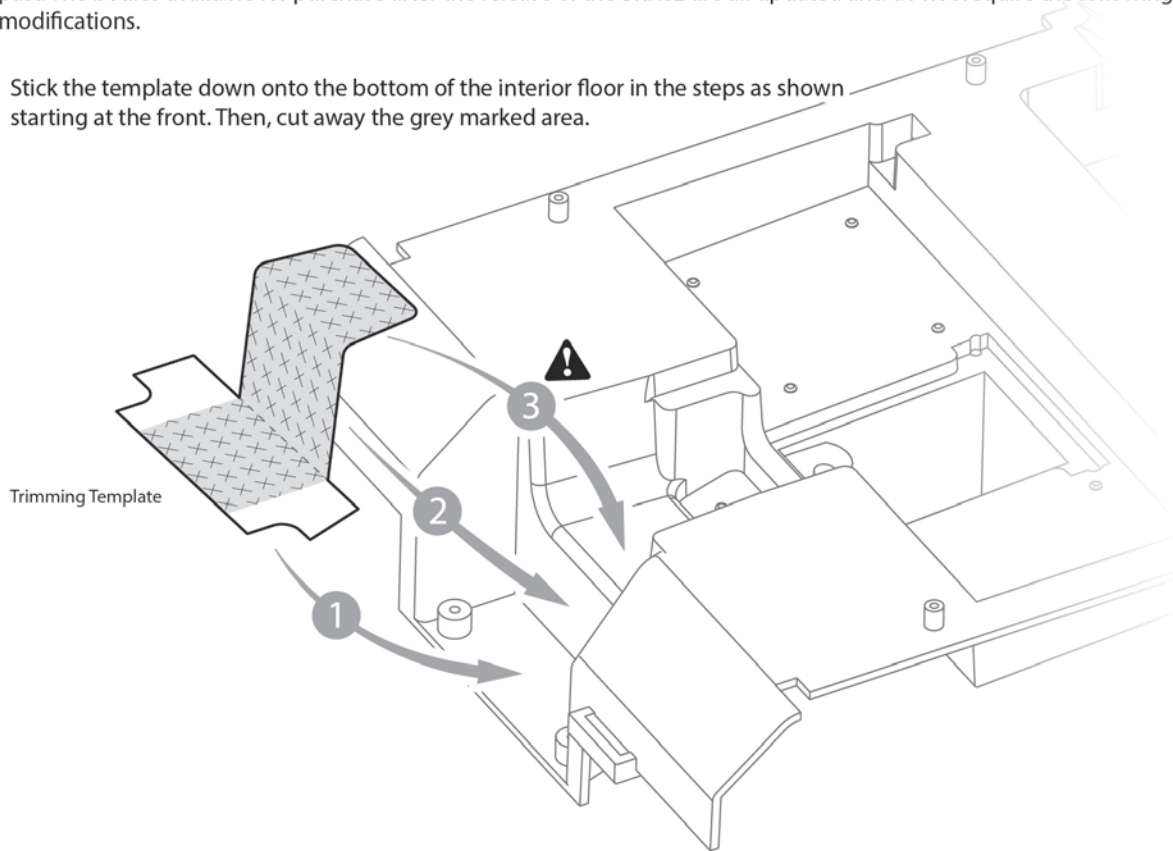
BRASS LARGE WEIGHT BLOCKS 23G
#BRLC7091

OPTIONAL PARTS

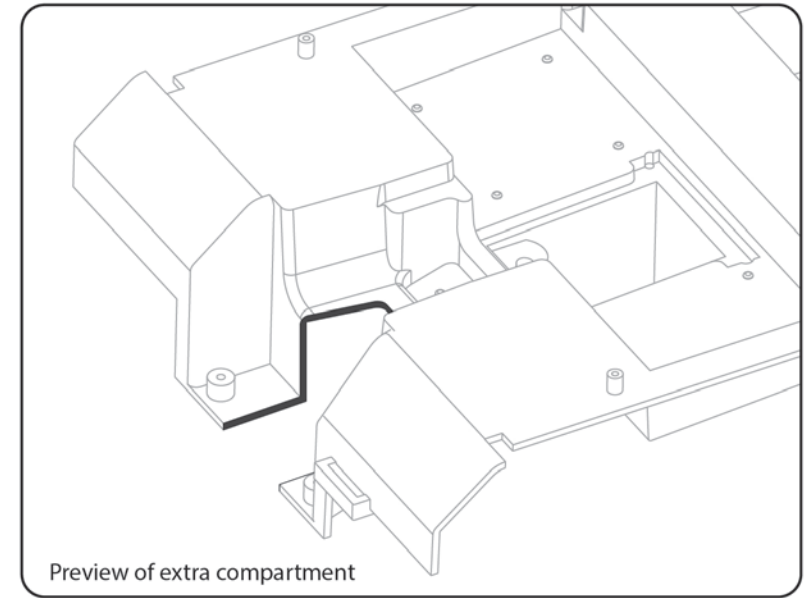
GEARBOX COMPARTMENT

There are only two D110 hard bodies that are compatible with the BRX02 D110 chassis – Team Raffee Co. #TRC/302214 and #TRC/302215. The modifications below are for those who might already have a Team Raffee Co. D110 body in the past. The bodies available for purchase after the release of the BRX02 are all updated and do not require the following modifications.

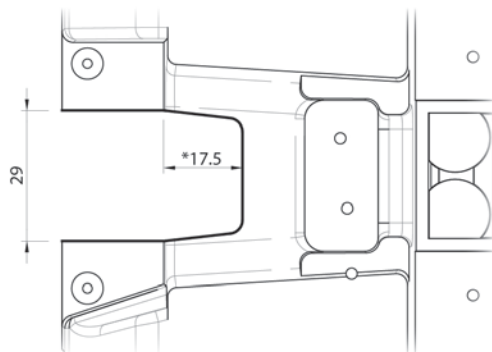
Stick the template down onto the bottom of the interior floor in the steps as shown starting at the front. Then, cut away the grey marked area.



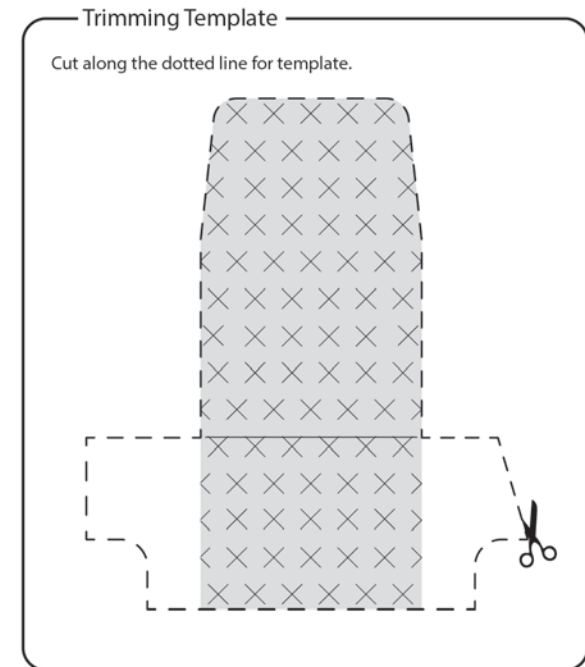
Trimming Template



Preview of extra compartment



*Make sure not to remove more than 17.5mm deep on the face (3) of the Trimming Template. Otherwise, a gap may appear from the interior.



Trimming Template

Cut along the dotted line for template.

NOTES

Kristian Dubiel (Snakepit RC)

The BRX02 isn't just a BRX01 with a longer wheelbase. Rather, it is the further development of what I consider to be the best scale chassis on the market. The new KUDU™ shocks, KUDU™ drive shafts, the carbon chassis rails and the quick-release body mount take the BRX02 to an even higher level. The BRX02 is a "must have" for every Defender fan out there and the best base for your next Defender build. You won't find a chassis out-of-the-box that works as well as the BRX02.

My first test drive was a Trophy event with many goals and difficult terrain. The BRX02 worked perfectly right from the start and had very good performance, as well as a fantastic driving image which rewarded me with a first-place finish.

Shawn Roche (USA)

I almost gave up trying to find a kit that has the correct balance of scale, quality and performance. But once I got my hands on the BRX02 I knew instantly that Boom Racing got it right, and having a tool free quick release on a hard body is amazing.

Andreas Briesemeister / Stefan Lindenau (Germany)

The BRX02 is not just a successor or a copy of the BRX01 - it's a complete new chassis. Everything fits together harmoniously, and it is fun to drive. The handling is very convincing despite the heavy Defender body. The quality of the materials used is very high standard, leaving nothing to be desired. The carbon frame visually pleases the eyes. The new dampers are eye-catching and work precisely and smoothly with the low friction sealing o-rings. The three different spring rates supplied offer adjustability for different setups. With the quick-release body mount, the change of the battery happens in a few seconds. You can easily separate the body from the chassis by compressing just two tabs. BRX02 will be more successful, and it is designed for a whole different target group.

Joe Conti (Malta)

Assembling the BRX02 is as easy and as much fun as assembling the BRX01. One can very easily see the quality of this product. The parts fit together very well and this shows the thought that went into designing it. The new features make the BRX02 that much better; the new shocks, the new drive shafts, carbon fiber chassis rails and the new body mounts. The new body mount makes installing and removing the body much easier than ever, there is nothing like it out there.



BOOMRACING®
Your Radio Control Car Specialist

BRX02

1/10 4WD RADIO CONTROL CHASSIS KIT FOR D110

WWW.BOOMRACINGRC.COM