

BRX HD Transfer Case - Anti-Torque Twist

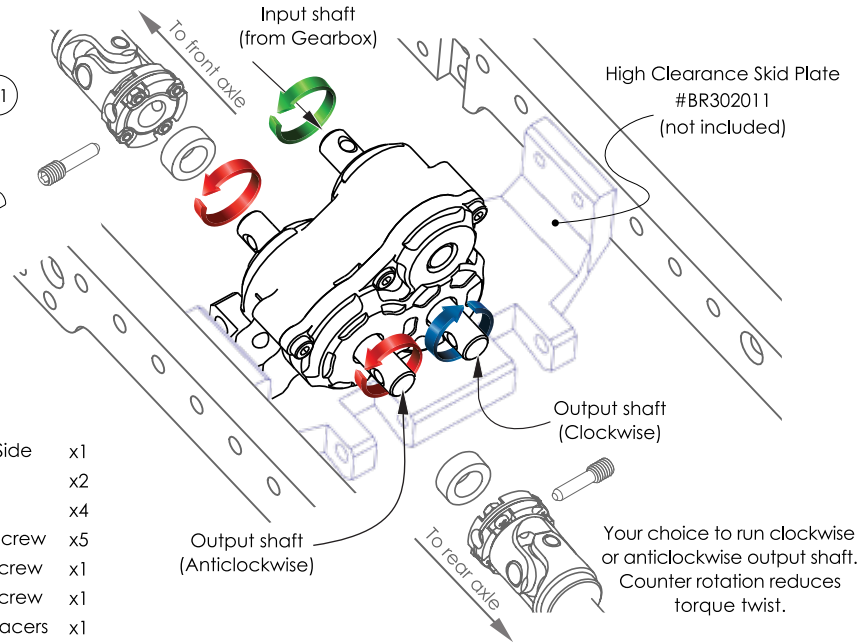
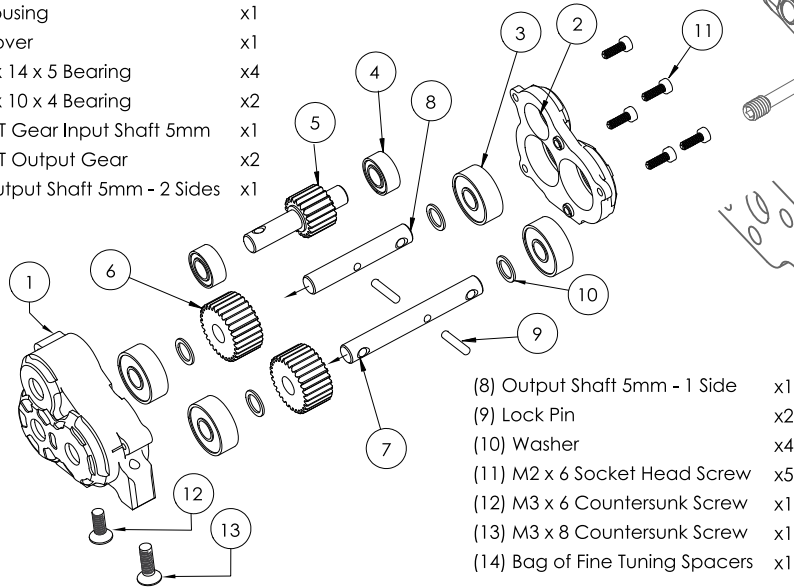
Manual



EXPLODED VIEW

Includes:

- (1) Housing x1
- (2) Cover x1
- (3) 5 x 14 x 5 Bearing x4
- (4) 5 x 10 x 4 Bearing x2
- (5) 20T Gear Input Shaft 5mm x1
- (6) 29T Output Gear x2
- (7) Output Shaft 5mm - 2 Sides x1



Enjoy Being A BADASS

We love building scale models. Let's be honest. Which badass doesn't love a beautiful looking car? Our focus is on designing the best looking products that really perform; products that withstand beating and still look great enough to be shelf queens. Offering you the latest designs made with the highest possible quality at affordable prices is our absolute focus for all enthusiastic hobbyists.

Since 2012, Boom Racing has been manufacturing extreme performance RC products. We want you to love and enjoy these amazing "scale" and "performance" based products to create your own unique realistic RC builds.

We are never going to stop at giving you the best updates and upgrades on our product lines. That's our passion and our commitment to keep you on your toes with excitement and anticipation for what's to come next.

Enjoy being a badass!



#boomracing

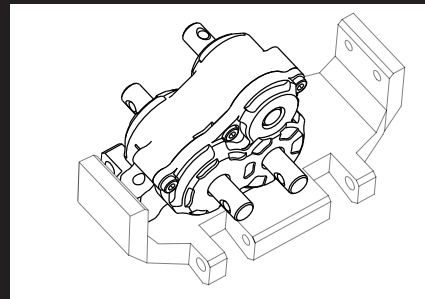


www.facebook.com/
boomracingrc

WWW.BOOMRACINGRC.COM

Copyright BoomRacing Co. Ltd.

BOOMRACING®
Your Radio Control Car Specialist



BRX
T-CASE

**BRX HD Transfer Case
Anti-Torque Twist**

#BRQ763069

ENJOY BEING A BADASS

BRQ763069_0807